



Model Number:
SWC-SP3T3P05A162007S

RF Components

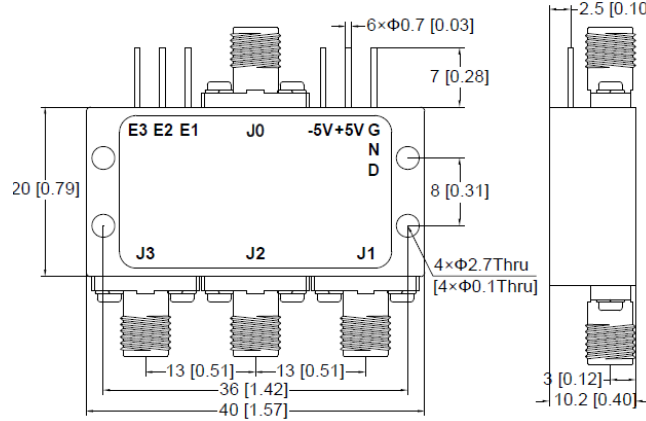
PIN Diode Absorptive Switch

2 - 18 GHz

- Single pole three throw PIN diode absorptive switch
- TTL control

Available with RF connector options:

- 50 Ω SMA



Switch

RF Parameters		
SWC-SP3T3P05A162007S		
Frequency Range	2 - 18 GHz	
RF Connectors	50 Ω SMA Female	
Insertion Loss (dB)	Typ.	3.0
	Max.	3.5
Switching Speed (nsec)	Max	100
VSWR	Typ.	1.7:1
	Max	2.0:1
Isolation (dB)	Typ.	90
	Min.	80
CW RF Power, Operating (dBm)	30	

Environmental		
Operating Temperature	-45°C to +85°C	
Storage Temperature	-55°C to +125°C	
Vibration	25g rms (15 degree 2KHz)	
Humidity	Max	100% RH at 35°C, 95% RH at 40°C
Shock	20G for 11msc	

Truth Table			
Control Input TTL			Signal Path State
E3	E2	E1	
1	1	0	J0-J1
1	0	1	J0-J2
0	1	1	J0-J3

Switching speed is defined as 50% TTL to 90% RF (t-on) and 50% TTL to 10% RF (t-off).

Absolute Maximum Ratings	
Biasing	+5V, -5V
TTL Control Voltage	+5V/ 0V
Input RF power	+30dBm

Broadcast



Marine Oil & Gas



SNG & VSAT



Satellite Teleport

