



RF Components

Model Number:
DIV04C3A-2382

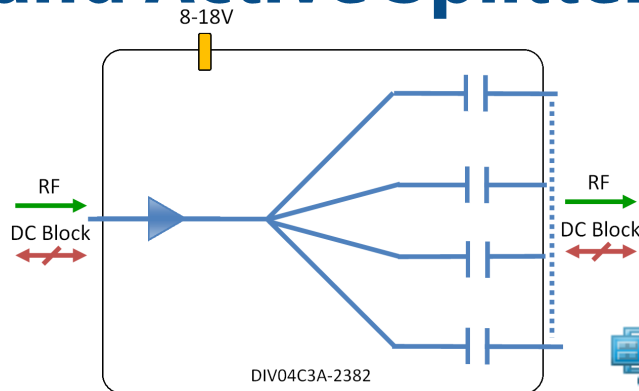
4-Way C-Band Active Splitter

3.4 - 6.5 GHz

- Unity gain
- All ports DC blocked
- Requires 8-18V external DC bias

Available with RF connector options:

- 50 Ω SMA
- 50 Ω N-type



Compact

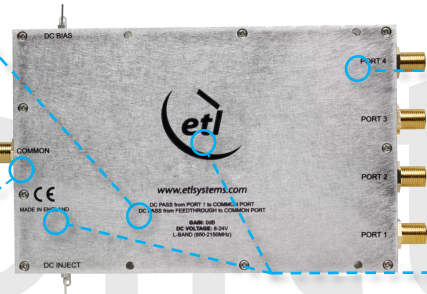
Housed in rugged compact enclosure

Flexible Mounting

Tapped screw & through hole mounting options

8-18V
External DC powering

3.4 - 6.5 GHz
Operating frequency range.



RF Parameters		
DIV04C3A-2382-XXXX	S5S5	N5N5
Frequency Range	3.4 - 6.5 GHz	
RF Connectors	50Ω SMA	50Ω N-Type
Mean Gain (dB)	0 ±0.80	0 ±0.80
Flatness ± (dB)	2.2	2.2
Input Return Loss (dB)	Typ.	22
	Min	10
Output Return Loss (dB)	Typ.	20
	Min	10
Output P1dB GCP* (dBm)	Typ.	8
	Min	5
Isolation (dB)	Typ.	25
Output IP3 (dBm)	Typ.	16
Noise Figure (dB)	Typ.	9

*GCP (Gain Compression Point)

Broadcast



Marine Oil & Gas



SNG & VSAT



Satellite Teleport

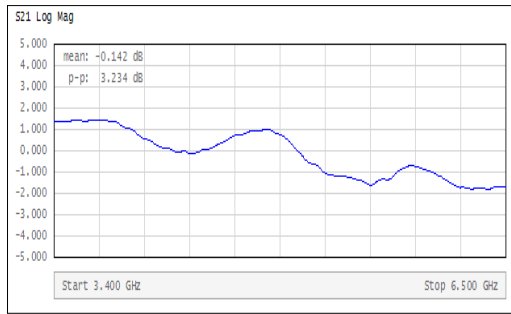




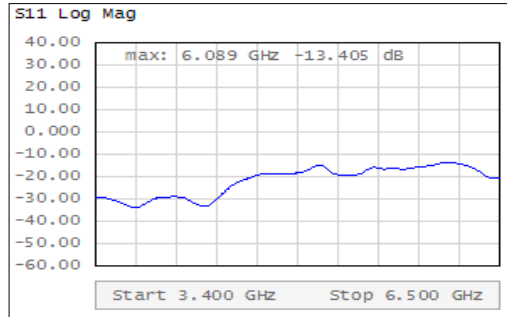
RF Components

Model Number:
DIV04C3A-2382
4-Way C-Band Active Splitter

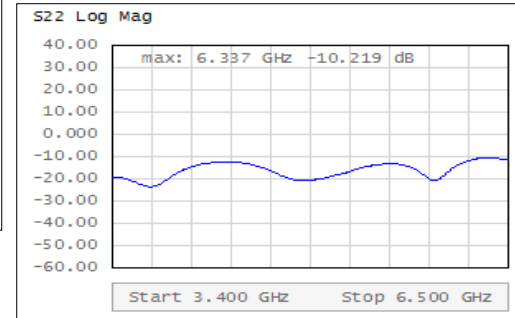
Technical specifications and operating parameters



Gain (dB)



Input Return Loss (dB)



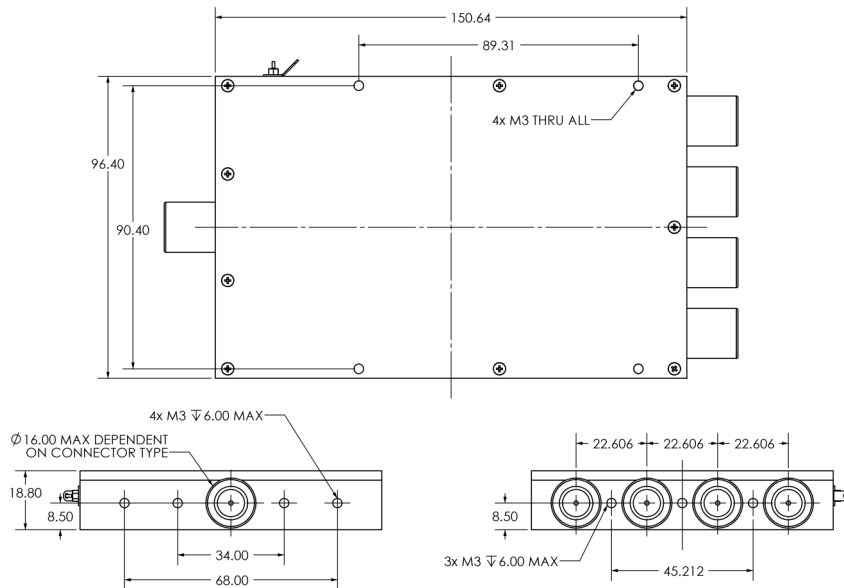
Output Return Loss (dB)

Environmental		
Operating Temperature		0°C to +45°C
Storage Temperature		-20°C to +75°C
Location		Indoor use Only
Humidity	Max	85% non-condensing
Altitude	Max	10,000 feet

Max Operating Parameters		
Input RF Power		+16 dBm (40mW)
DC Voltage		35V on any RF port
DC Current	Max	n/a
DC Consumption		100mA Max, 80mA typical

! Operation beyond these limits may cause instantaneous and permanent damage.

Physical Dimensions (mm)



Note: The specification is subject to regular reviews and will be updated from time to time as part of our continuing product development and improved specification accuracy.

ETL SYSTEMS LIMITED
Coldwell Radio Station
Madley
Hereford
England HR2 9NE

TELEPHONE
+44 (0)1981 259020

EMAIL
info@etlsystems.com

FACSIMILE
+44 (0)1981 259021

WEB
www.etlsystems.com

