



Model Number:
CPL20L1P-4301

RF Components

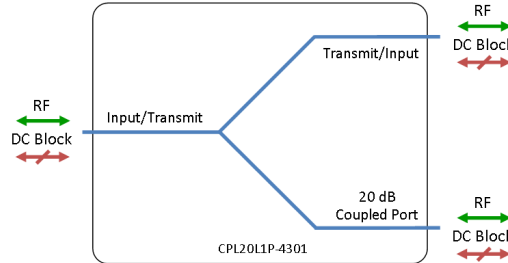
20dB L-band Proximity Coupler

850 - 2150 MHz

- All ports DC blocked

Available with RF connector options:

- 50 Ω SMA
- 50 Ω N-type
- 50 Ω BNC
- 75 Ω BNC
- 75 Ω F-type.



850-2150 MHz
Operating frequency range. L-Band ready



Compact
Housed in rugged compact enclosure

Flexible Mounting
Tapped screw & through hole mounting options

| RF Parameters | | | | | | |
|---|----------------|------------|-----------|-----------|------------|----------|
| CPL20L1P-4301-XXXXXX | S5S5S5 | N5N5N5 | B5B5B5 | B7B7B7 | F7F7F7 | |
| Frequency Range | 850 – 2150 MHz | | | | | |
| RF Connectors | 50Ω SMA | 50Ω N-Type | 50Ω BNC | 75Ω BNC | 75Ω F-Type | |
| Through Path : | | | | | | |
| Mean Insertion Loss (dB) | 1.0 ± 0.2 | 1.0 ± 0.2 | 1.0 ± 0.3 | 1.2 ± 0.4 | 1.2 ± 0.4 | |
| Flatness (dB) | ± 0.2 | ± 0.2 | ± 0.2 | ± 0.4 | ± 0.4 | |
| Input Return Loss (dB) | Typ | 20 | 18 | 18 | 15 | 15 |
| | Min | 15 | 14 | 14 | 13 | 13 |
| Output Return Loss (dB) | Typ | 16 | 16 | 15 | 15 | 15 |
| | Min | 13 | 13 | 12 | 12 | 12 |
| Coupled Port : | | | | | | |
| Coupling Factor | Typ | 20 ± 0.5 | 20 ± 0.5 | 20 ± 0.5 | 20 ± 0.8 | 20 ± 0.8 |
| Flatness (dB) | Typ | ± 0.2 | ± 0.2 | ± 0.3 | ± 0.4 | ± 0.4 |
| Return Loss (dB) | Typ | 18 | 18 | 18 | 15 | 15 |
| | Min | 15 | 15 | 14 | 13 | 13 |
| 10MHz Insertion Loss is up to 3dB above the theoretical loss* 10MHz Rejection is 20dB* *To ports which are applicable | | | | | | |

Broadcast



Marine Oil & Gas



SNG & VSAT



Satellite Teleport





RF Components

Model Number:
CPL20L1P-4301

20dB L-band Proximity Coupler

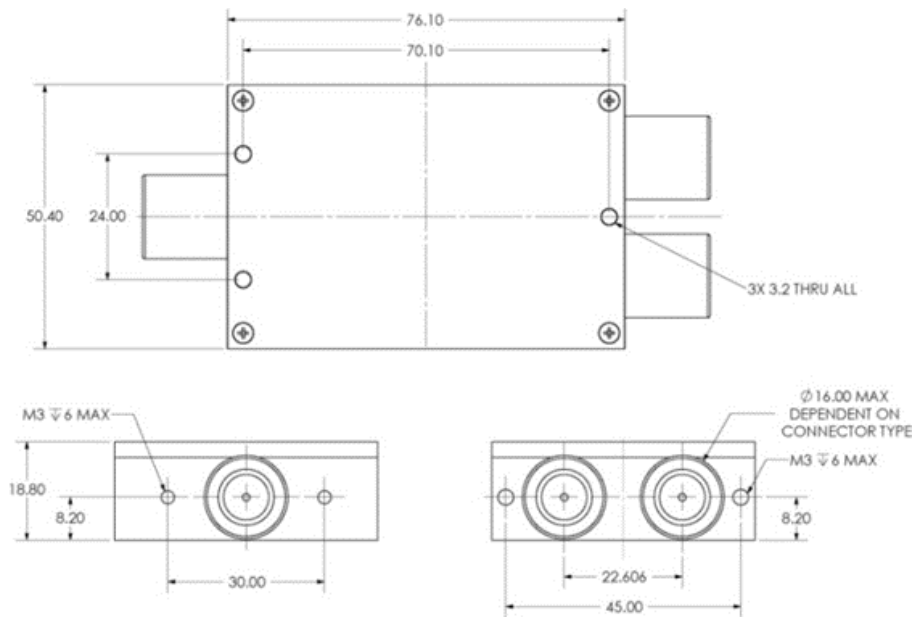
Technical specifications and operating parameters

| Environmental | | |
|-----------------------|-----|--------------------|
| Operating Temperature | | 0°C to +45°C |
| Storage Temperature | | -20°C to +75°C |
| Location | | Indoor use Only |
| Humidity | Max | 85% non-condensing |
| Altitude | Max | 10,000 feet |

| Max Operating Parameters | |
|--------------------------|--------------|
| Input RF Power | +37 dBm (5W) |
| DC Voltage | 50 V |

! Operation beyond these limits may cause instantaneous and permanent damage.

Physical Dimensions (mm)



Note: The specification is subject to regular reviews and will be updated from time to time as part of our continuing product development and improved specification accuracy.

ETL SYSTEMS LIMITED
Coldwell Radio Station
Madley
Hereford
England HR2 9NE

TELEPHONE
+44 (0)1981 259020

EMAIL
info@etlsystems.com

FACSIMILE
+44 (0)1981 259021

WEB
www.etlsystems.com

