

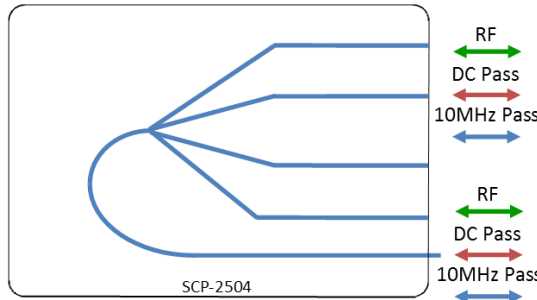


Model Number:  
**SCP-2504**

RF Components

# Scorpion 4-Way Passive Splitter/Combiner

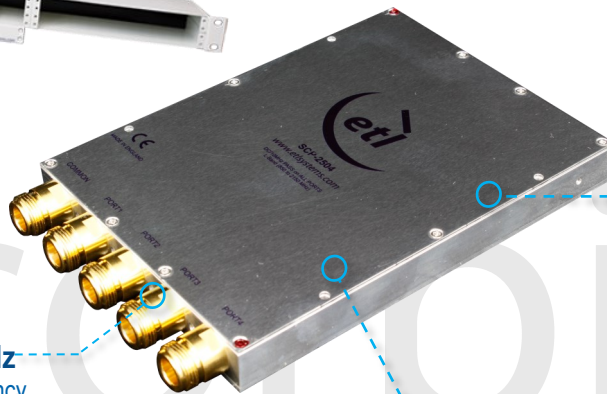
## L-Band 850 - 2150 MHz



- All ports 10 MHz & DC pass.
- All ports located on rear of unit.
- Can be standalone or mounting in our Scorpion 1U Chassis. Model SCP-1U-11

Available with RF connector options:

- 50 Ω SMA
- 50 Ω N-type
- 50 Ω BNC
- 75 Ω BNC
- 75 Ω F-type



### Compact

Housed in rugged compact enclosure

### Chassis Mounting

Tapped screw & through hole for use with Scorpion 1U chassis mount system

**850 - 2150 MHz**  
Operating frequency range.

RF Parameters						
SCP-2504-XXXX		S5S5	N5N5	B5B5	B7B7	F7F7
Frequency Range		850 - 2150 MHz				
RF Connectors		50Ω SMA	50Ω N-Type	50Ω BNC	75Ω BNC	75Ω F-Type
Insertion Loss (dB)	Typ.	1.5	1.5	1.8	2.0	2.0
	Max	2.5	2.5	2.8	3.0	3.0
Flatness ± (dB)		1.2	1.2	1.4	1.7	1.7
Input Return Loss (dB)	Typ.	15	15	14	12	12
	Min	10	10	10	8	8
Output Return Loss (dB)	Typ.	20	20	18	12	12
	Min	15	15	12	8	8
Isolation (dB)	Typ.	20	20	20	20	20
Amplitude Balance (dB)		≤ 0.3	≤ 0.5	≤ 0.5	≤ 1.0	≤ 1.0
Phase Balance (Φ)		≤ 3°	≤ 4°	≤ 4°	≤ 10°	≤ 10°

The given Insertion Loss specified is the loss above the theoretical limit for a lossless divider  
10MHz Insertion Loss is up to 3dB above the theoretical loss\*  
\*To ports which are applicable

### Broadcast



### Marine Oil & Gas



### SNG & VSAT



### Satellite Teleport



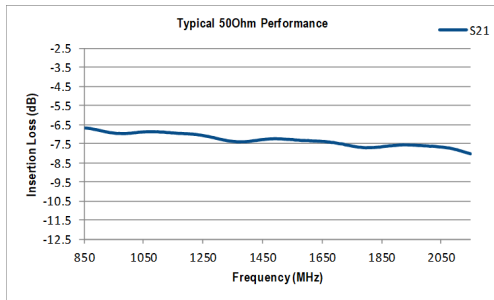


RF Components

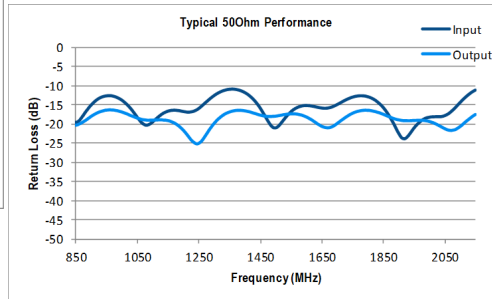
Model Number:  
**SCP-2504**

Scorpion 4-Way Passive Splitter/Combiner

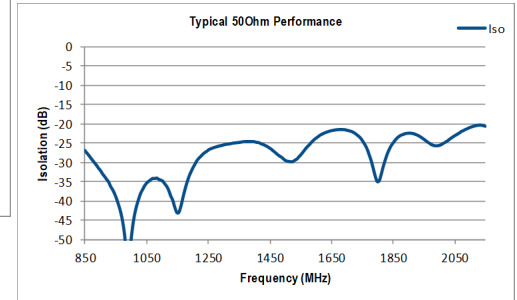
Technical specifications and operating parameters



Insertion Loss (dB)



Return Loss (dB)



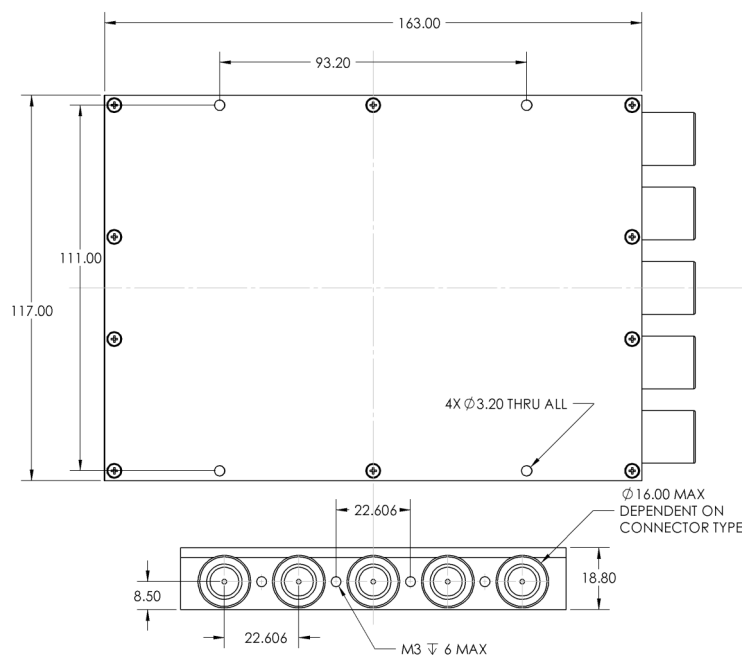
Isolation (dB)

Environmental		
Operating Temperature		0°C to +45°C
Storage Temperature		-20°C to +75°C
Location		Indoor use Only
Humidity	Max	85% non-condensing
Altitude	Max	10,000 feet

Max Operating Parameters		
Input RF Power		+34 dBm (2.5W) As Splitter +27 dBm (0.5W) As Combiner
DC Voltage		35V on any RF port
DC Current	Max	1A Max total Current

**!** Operation beyond these limits may cause instantaneous and permanent damage.

Physical Dimensions (mm)



Note: The specification is subject to regular reviews and will be updated from time to time as part of our continuing product development and improved specification accuracy.

ETL SYSTEMS LIMITED  
Coldwell Radio Station  
Madley  
Hereford  
England HR2 9NE

TELEPHONE  
+44 (0)1981 259020  
  
EMAIL  
info@etlsystems.com

FACSIMILE  
+44 (0)1981 259021  
  
WEB  
www.etlsystems.com

