

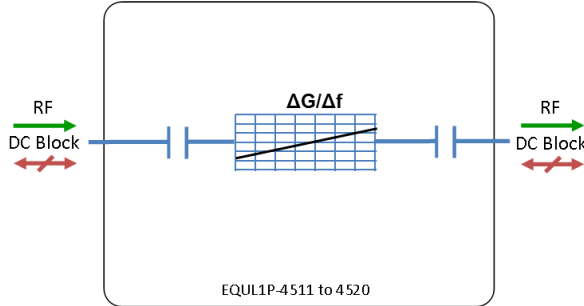


RF Components

L-band Passive Equaliser

850 - 2150 MHz

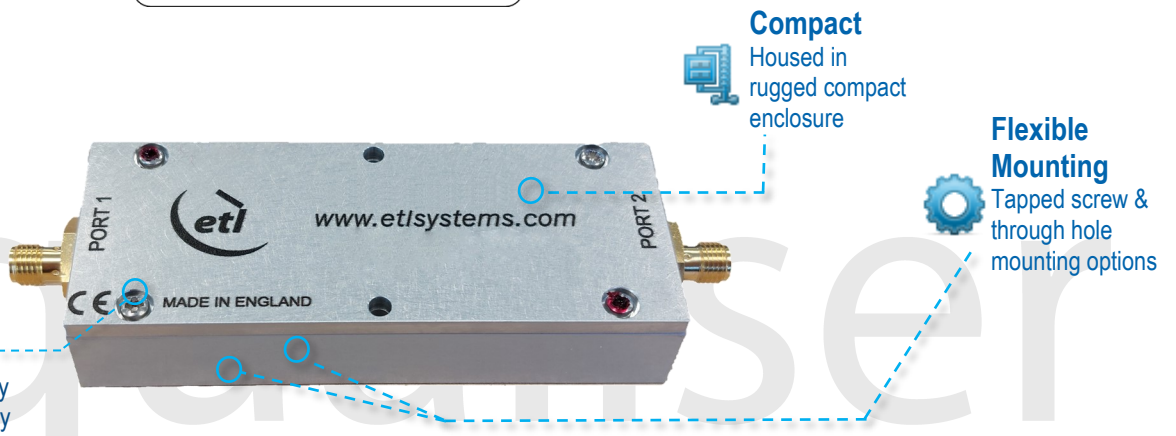
Model Number:
EQUL1P-4519



- Reciprocal device
- DC blocked between the two ports
- 9dB positive slope

Available with RF connector options:

- 75 Ω BNC
- 75 Ω F-type.



RF Parameters		
EQUL1P-4519-xxxx	B7B7	F7F7
Frequency Range	850 - 2150 MHz	
RF Connectors	75Ω BNC	75Ω F-Type
Mean Insertion Loss (dB)	Typ.	6.0
	Max.	8.5
Slope Positive (dB)	9.0 ± 2.0	9.0 ± 2.0
Input Return Loss (dB)	Typ.	12
	Min	8
Output Return Loss (dB)	Typ.	12
	Min	8

Broadcast



Marine Oil & Gas



SNG & VSAT



Satellite Teleport





RF Components

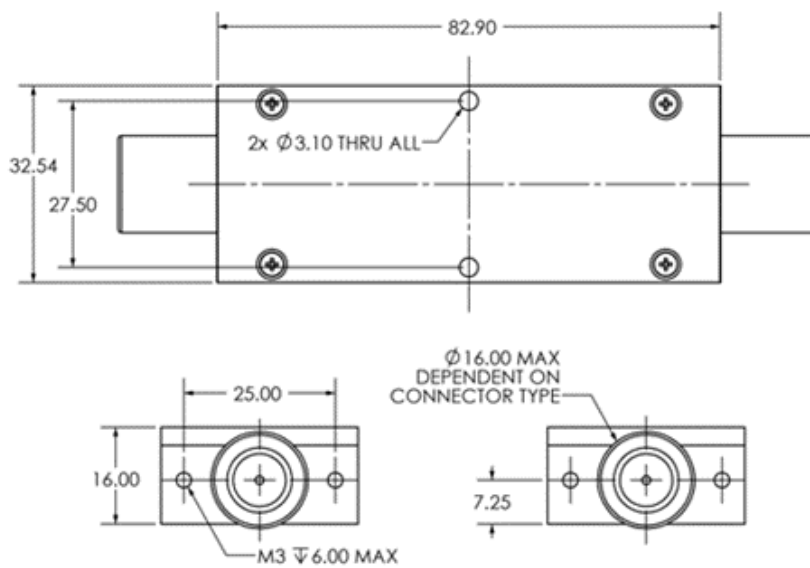
Model Number:
EQUL1P-4519
 L-band Passive Equaliser

Environmental	
Operating Temperature	0°C to +65°C
Storage Temperature	-20°C to +75°C
Location	Indoor use Only
Humidity	Max 90% non-condensing
Altitude	Max 10,000 feet

Max Operating Parameters	
Input RF Power	+37 dBm (5W)
DC Voltage	28V
DC Current	N/A

! Operation beyond these limits may cause instantaneous and permanent damage.

Physical Dimensions (mm)



Note: The specification is subject to regular reviews and will be updated from time to time as part of our continuing product development and improved specification accuracy.

ETL SYSTEMS LIMITED
 Coldwell Radio Station
 Madley
 Hereford
 England HR2 9NE

TELEPHONE
 +44 (0)1981 259020
 EMAIL
 info@etlsystems.com

FACSIMILE
 +44 (0)1981 259021
 WEB
 www.etlsystems.com

