

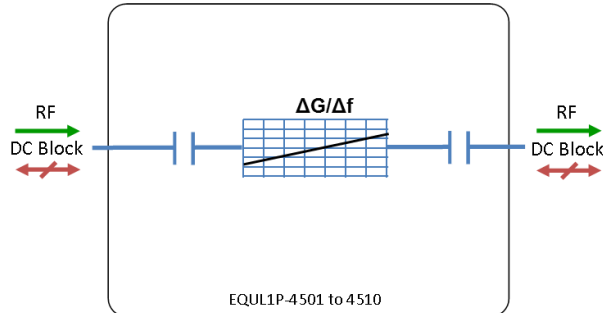


Model Number:  
**EQU1P-4508**

RF Components

# L-band Passive Equalisers

## 850 - 2150 MHz



Description specific to each product

- Reciprocal device
- DC block between the 2 ports
- 8dB positive slope

Available with RF connector options:

- 50 Ω SMA
- 50 Ω N-type
- 50 Ω BNC



**850-2150 MHz**  
Operating frequency range. L-Band ready



**Compact**  
Housed in rugged compact enclosure



**Flexible Mounting**  
Tapped screw & through hole mounting options



RF Parameters			
EQU1P-4508-xxxx	S5S5	N5N5	B5B5
Frequency Range	850 - 2150 MHz		
RF Connectors	50Ω SMA	50Ω N-Type	50Ω BNC
Mean Insertion Loss (dB)	Typ.	5.5	5.5
	Max.	8.0	8.0
Slope Positive (dB)	8.0 ± 1.0	8.0 ± 1.0	8.0 ± 1.0
Input Return Loss (dB)	Typ.	18	18
	Min	15	13
Output Return Loss (dB)	Typ.	18	18
	Min	13	13

### Broadcast



### Marine Oil & Gas



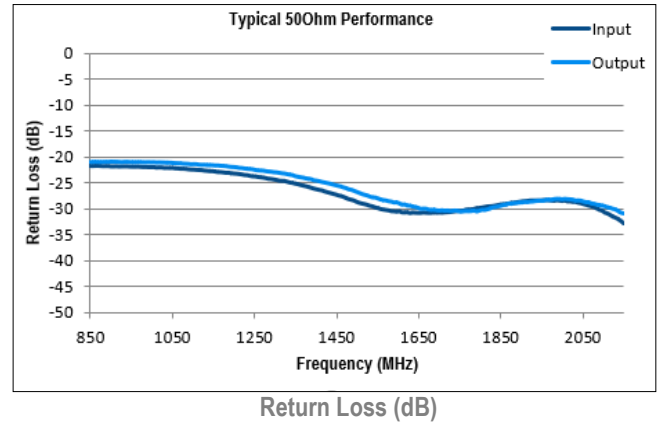
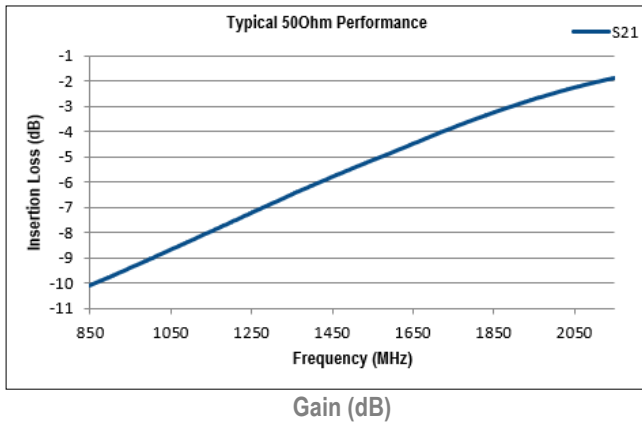
### SNG & VSAT



### Satellite Teleport



Technical specifications and operating parameters

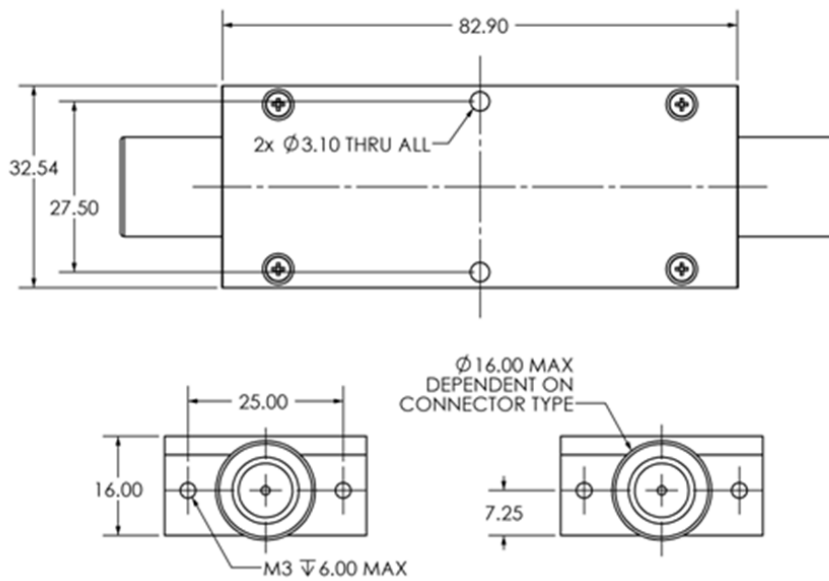


Environmental		
Operating Temperature		0°C to +45°C
Storage Temperature		-20°C to +75°C
Location		Indoor use Only
Humidity	Max	85% non-condensing
Altitude	Max	10,000 feet

Max Operating Parameters	
Input RF Power	+ 16 dBm (40 mW)
DC Voltage	35 V on any RF port
DC Current	500 mA

**!** Operation beyond these limits may cause instantaneous and permanent damage.

Physical Dimensions (mm)



Note: The specification is subject to regular reviews and will be updated from time to time as part of our continuing product development and improved specification accuracy.