



RF Components

# C-band Passive Equalisers

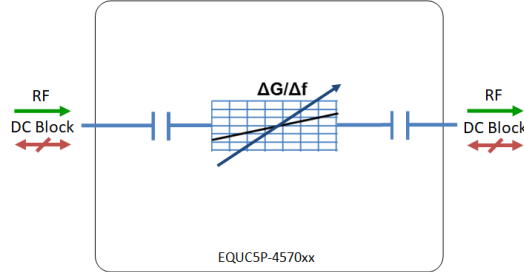
## 1250 - 3750 MHz

Model Number:  
**EQUC5P-457008**

- Reciprocal device
- DC/10MHz block
- 6dB positive slope

Available with RF connector options:

- 50  $\Omega$  SMA
- 50  $\Omega$  N-type



**1250-3750 MHz**  
Operating frequency range



**Compact**  
Housed in rugged compact enclosure



**Flexible Mounting**  
Tapped screw & through hole mounting options



RF Parameters		
EQUC5P-457008-xxxx	S5S5	N5N5
Frequency Range	1250 - 3750 MHz	
RF Connectors	50 $\Omega$ SMA	50 $\Omega$ N-Type
Insertion Loss at 3750MHz (dB)	Typ.	2.5
	Max.	3.5
Slope Positive (dB)	6.0 $\pm$ 1.0	6.0 $\pm$ 1.0
Input Return Loss (dB)	Typ.	12
	Min	10
Output Return Loss (dB)	Typ.	12
	Min	10

### Broadcast



### Marine Oil & Gas



### SNG & VSAT



### Satellite Teleport





RF Components

Model Number:  
**EQUC5P-457008**  
C-band Passive Equalisers

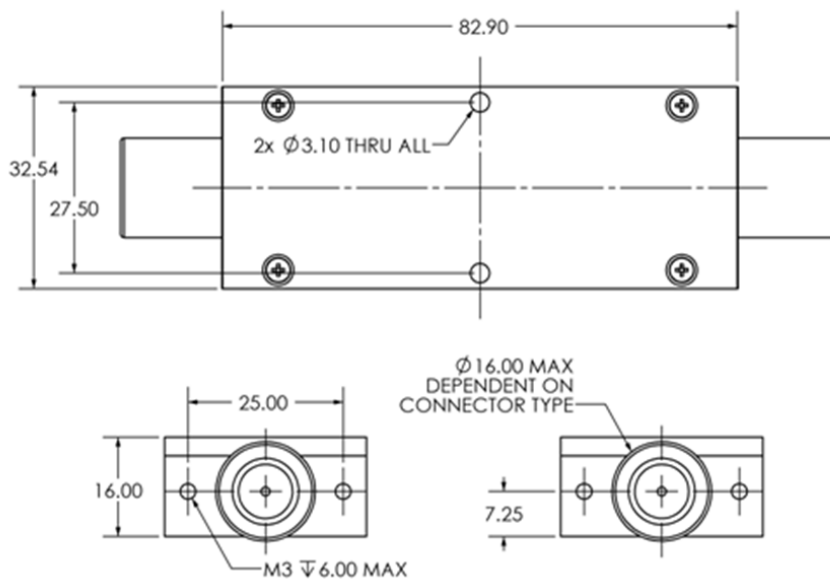
### Technical specifications and operating parameters

Environmental	
Operating Temperature	0°C to +45°C
Storage Temperature	-20°C to +75°C
Location	Indoor use Only
Humidity	Max 85% non-condensing
Altitude	Max 10,000 feet

Max Operating Parameters	
Input RF Power	+ 16 dBm (40 mW)
DC Voltage	35 V on any RF port
DC Current	500 mA

**!** Operation beyond these limits may cause instantaneous and permanent damage.

### Physical Dimensions (mm)



Note: The specification is subject to regular reviews and will be updated from time to time as part of our continuing product development and improved specification accuracy.

ETL SYSTEMS LIMITED  
Coldwell Radio Station  
Madley  
Hereford  
England HR2 9NE

TELEPHONE  
+44 (0)1981 259020  
  
EMAIL  
info@etlsystems.com

FACSIMILE  
+44 (0)1981 259021  
  
WEB  
www.etlsystems.com

