



Model Number:  
**COM04L1A-2270**

RF Components

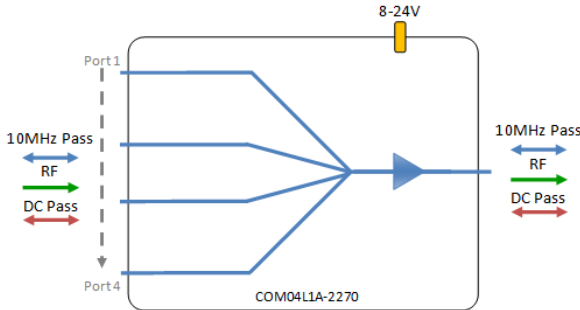
# 4-Way L-Band Active Combiner

850 - 2150MHz

- Unity gain
- All ports DC & 10MHz pass
- Requires 8-24V external DC bias

Available with RF connector options:

- 50 Ω SMA
- 50 Ω N-type
- 50 Ω BNC
- 75 Ω BNC
- 75 Ω F-type



**Compact**

Housed in rugged compact enclosure

**Flexible Mounting**

Tapped screw & through hole mounting options

**8-24V**  
External DC powering

**850-2150 MHz**  
Operating frequency range.



RF Parameters						
COM04L1A-2270-XXXX	S5S5	N5N5	B5B5	B7B7	F7F7	
Frequency Range	850 - 2150 MHz					
RF Connectors	50Ω SMA	50Ω N-Type	50Ω BNC	75Ω BNC	75Ω F-Type	
Mean Gain (dB)	0 ±0.80	0 ±0.80	0 ±0.80	0 ±1.4	0 ±1.4	
Flatness ± (dB)						
Input Return Loss (dB)	Typ.	22	22	18	15	12
	Min.	14	14	12	8	8
Output Return Loss (dB)	Typ.	20	20	18	15	15
	Min.	12	12	12	8	8
Output P1dB GCP** (dBm)	Typ.	5	5	5	5	5
	Min.	0	0	0	0	0
Isolation (dB)	Typ.	20	20	20	20	20
Output IP3(dBm)	Typ.	15	15	15	15	15
Noise Figure (dB)	Typ.	17	17	17	17	17
Amplitude Balance (dB)		≤0.5	≤0.5	≤0.5	≤0.5	≤0.5
Phase Balance (Φ)		≤5°	≤5°	≤5°	≤5°	≤5°
10MHz Rejection is 20dB* *To ports which are applicable **GCP (Gain Compression Point)						

**Broadcast**



**Marine Oil & Gas**



**SNG & VSAT**



**Satellite Teleport**

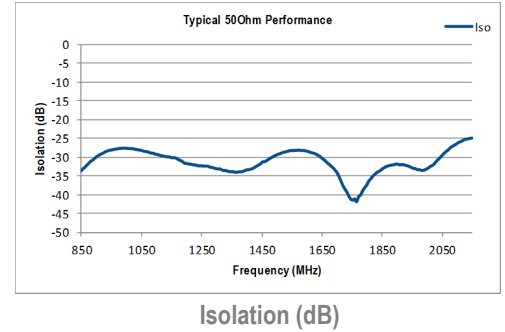
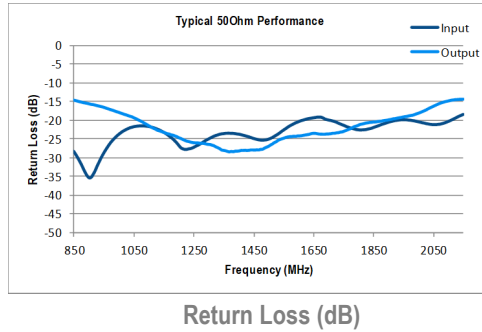
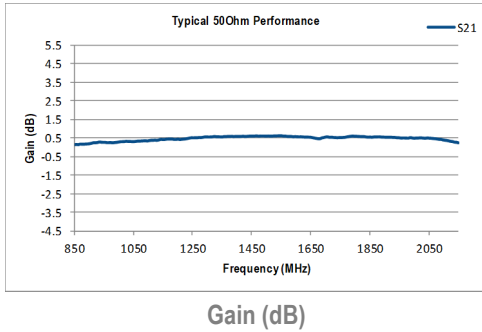




RF Components

Model Number:  
**COM04L1A-2270**  
4-Way L-Band Active Combiner

Technical specifications and operating parameters

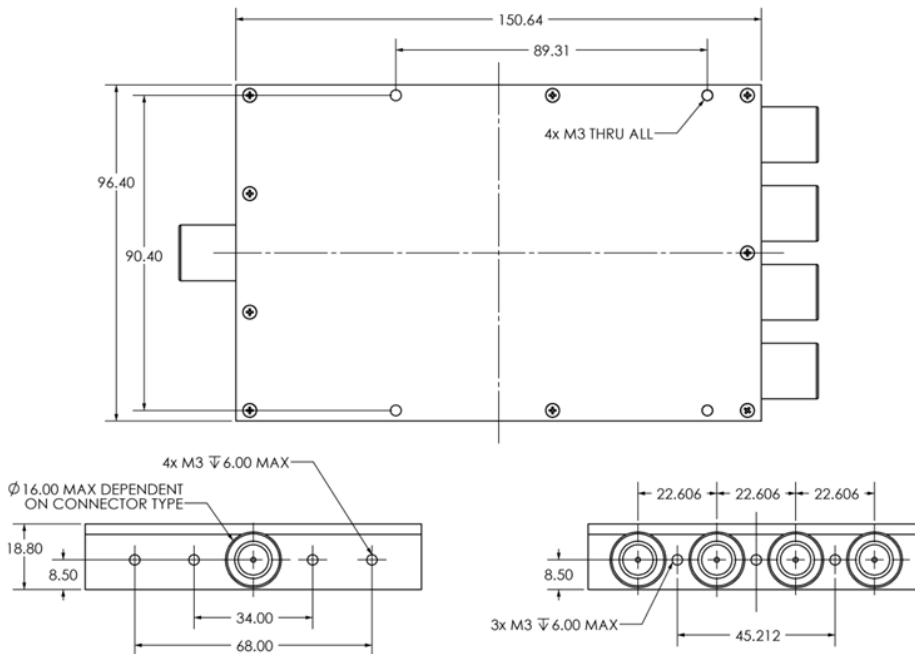


Environmental	
Operating Temperature	0°C to +45°C
Storage Temperature	-20°C to +75°C
Location	Indoor use Only
Humidity	Max 85% non-condensing
Altitude	Max 10,000 feet

Max Operating Parameters	
Input RF Power	+21 dBm (125mW)
DC Voltage	35V on any RF port
DC Current	Max 500mA
DC Consumption	100mA Max, 80mA typical

! Operation beyond these limits may cause instantaneous and permanent damage.

Physical Dimensions (mm)



Note: The specification is subject to regular reviews and will be updated from time to time as part of our continuing product development and improved specification accuracy.

ETL SYSTEMS LIMITED  
Coldwell Radio Station  
Madley  
Hereford  
England HR2 9NE

TELEPHONE  
+44 (0)1981 259020  
  
EMAIL  
info@etlsystems.com

FACSIMILE  
+44 (0)1981 259021  
  
WEB  
www.etlsystems.com

