



RF Components

Model Number:  
**COM04C3A-2259**

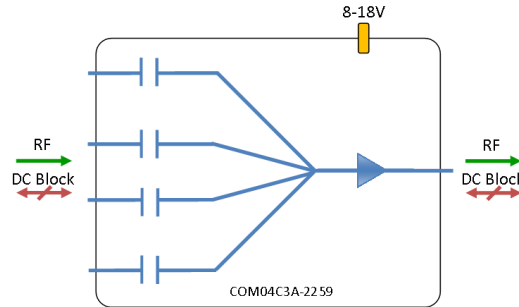
# 4-Way C-Band Active Combiner

**3400 - 6500 MHz**

- All ports DC blocked.
- Active combiner with unity gain

Available with RF connector options:

- 50  $\Omega$  SMA
- 50  $\Omega$  N-type

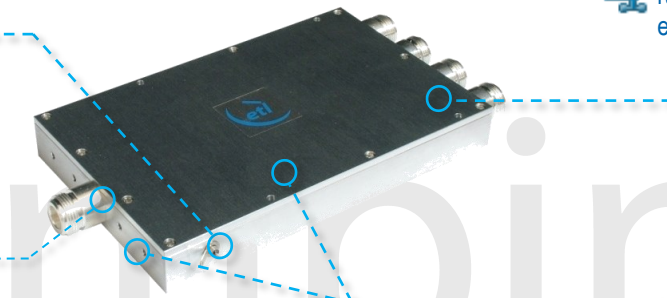


**8-18V**  
External DC  
powering

**Compact**  
Housed in  
rugged compact  
enclosure

**Flexible  
Mounting**  
Tapped screw &  
through hole  
mounting options

**3400 - 6500 MHz**  
Operating frequency  
range.



RF Parameters		
COM04C3A-2259-XXXX	S5S5	N5N5
Frequency Range	3400 - 6500 MHz	
RF Connectors	50 $\Omega$ SMA	50 $\Omega$ N-Type
Mean Gain (dB)	0 $\pm$ 0.8	0 $\pm$ 0.8
Flatness $\pm$ (dB)	$\pm$ 2	$\pm$ 2
Input Return Loss (dB)	Typ.	15
	Min	10
Output Return Loss (dB)	Typ.	15
	Min	10
Output P1dB GCP** (dBm)	Typ.	0
	Min	-2
Isolation (dB)	Typ.	18
Output IP3(dBm)	Typ.	10
Noise Figure (dB)	Typ.	13

10MHz Rejection is 20dB\*  
\*To ports which are applicable  
\*\*GCP (Gain Compression Point)

**Broadcast**



**Marine Oil & Gas**



**SNG & VSAT**



**Satellite Teleport**





RF Components

Model Number:  
**COM04C3A-2259**  
4-Way C-Band Active Combiner

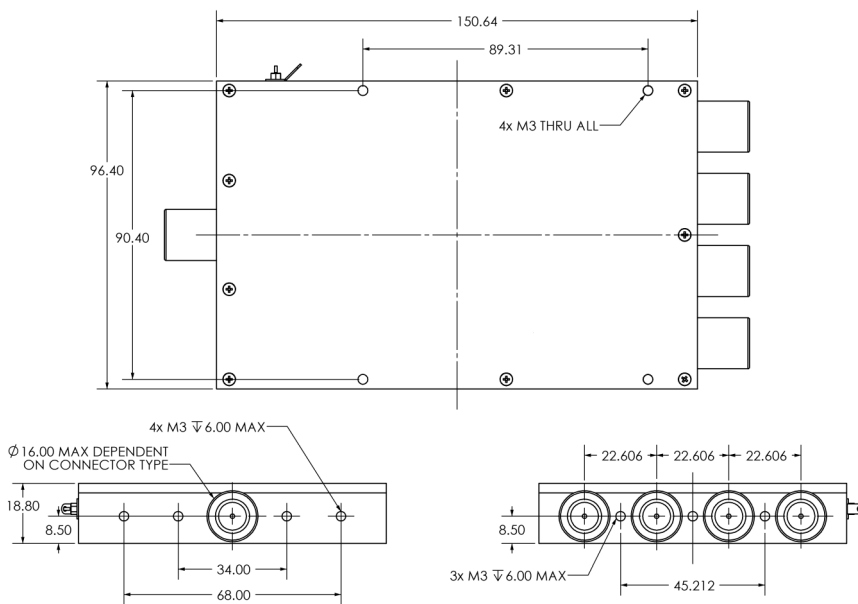
**Technical specifications and operating parameters**

Environmental		
Operating Temperature		0°C to +45°C
Storage Temperature		-20°C to +75°C
Location		Indoor use Only
Humidity	Max	85% non-condensing
Altitude	Max	10,000 feet

Max Operating Parameters	
Input RF Power	+16 dBm (40mW)
DC Voltage	35V on any RF port
DC Consumption	150mA Max, 110mA typ

**!** Operation beyond these limits may cause instantaneous and permanent damage.

**Physical Dimensions (mm)**



Note: The specification is subject to regular reviews and will be updated from time to time as part of our continuing product development and improved specification accuracy.

ETL SYSTEMS LIMITED  
Coldwell Radio Station  
Madley  
Hereford  
England HR2 9NE

TELEPHONE  
+44 (0)1981 259020  
  
EMAIL  
info@etlsystems.com

FACSIMILE  
+44 (0)1981 259021  
  
WEB  
www.etlsystems.com

