



RF Components

4-Way Broadband Active Combiner

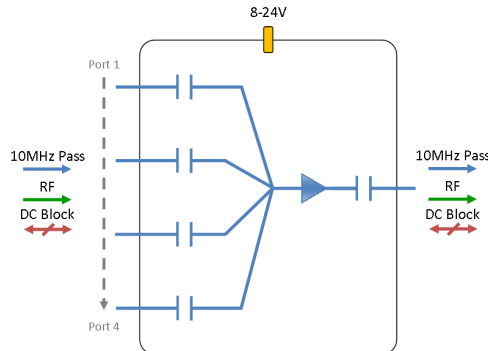
50 - 2150MHz

Model Number:
COM04B2A-2106

- Covering IF & L-Band frequencies
- With built in integral regulator
- All ports 10MHz pass & DC blocked.
- Requires 8-24V external DC bias

Available with RF connector options:

- 50 Ω SMA
- 50 Ω N-type
- 50 Ω BNC
- 75 Ω BNC
- 75 Ω F-type.



8-24V
External DC
powering

Compact
Housed in
rugged compact
enclosure

**Flexible
Mounting**
Tapped screw &
through hole
mounting options

50-2150 MHz
Operating frequency
range. L-Band ready



		RF Parameters				
COM04B2A-2106-XXXX		S5S5	N5N5	B5B5	B7B7	F7F7
Frequency Range		50 - 2150 MHz				
RF Connectors		50Ω SMA	50Ω N-Type	50Ω BNC	75Ω BNC	75Ω F-Type
Mean Gain (dB)		0 ± 2	0 ± 2	0 ± 2	0 ± 2	0 ± 2
Flatness ± (dB)		1.5	1.5	1.5	1.5	1.5
Input Return Loss (dB)	Typ.	16	15	14	12	10
	Min	12	12	10	10	7
Output Return Loss (dB)	Typ.	16	15	14	12	10
	Min	12	12	10	10	7
Output P1dB GCP** (dBm)	Typ.	12	12	12	12	12
	Min	9	9	9	9	9
Isolation (dB)		Typ. 15	15	15	15	15
Output IP3(dBm)		Typ. 24	24	24	24	24
Noise Figure (dB)		Typ. 18	18	18	18	18
10MHz Rejection is 20dB* *To ports which are applicable **GCP (Gain Compression Point)						

Broadcast



Marine Oil & Gas



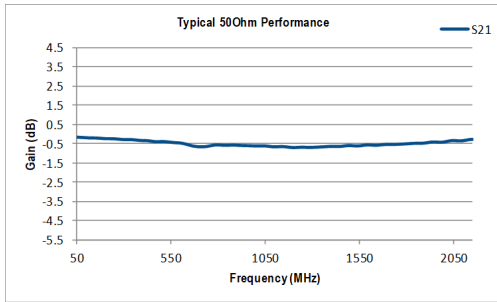
SNG & VSAT



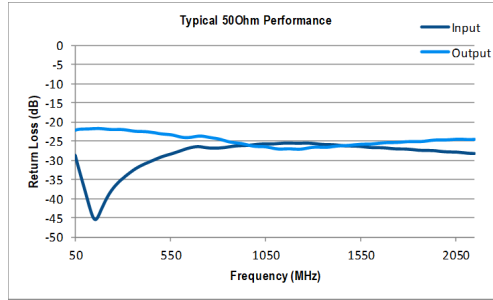
Satellite Teleport



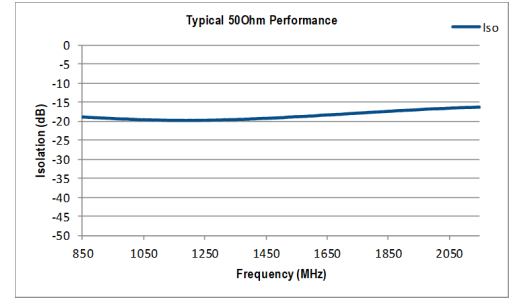
Technical specifications and operating parameters



Gain (dB)



Return Loss (dB)



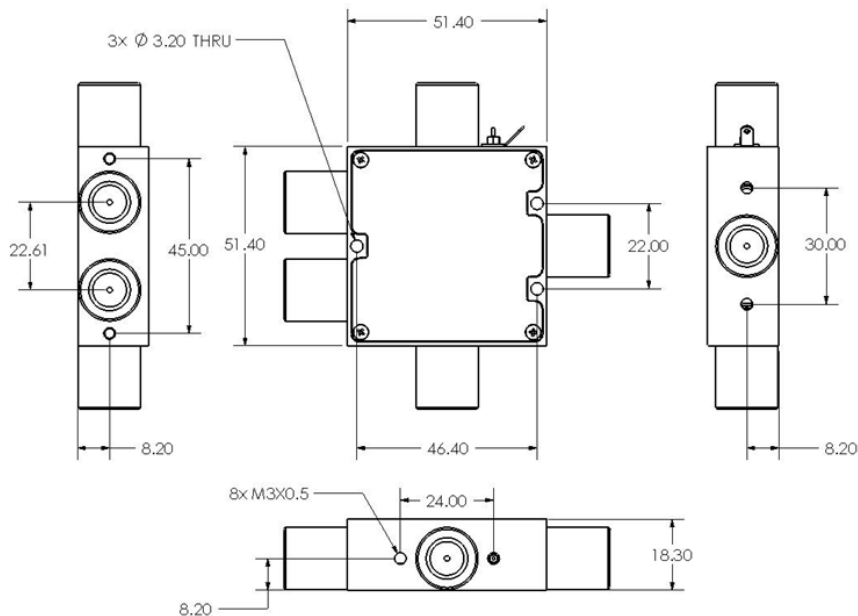
Isolation (dB)

Environmental		
Operating Temperature		0°C to +45°C
Storage Temperature		-20°C to +75°C
Location		Indoor use Only
Humidity	Max	85% non-condensing
Altitude	Max	10,000 feet

Max Operating Parameters	
Input RF Power	28 dBm
DC Voltage	24V on any RF port
DC Consumption	N/A

! Operation beyond these limits may cause instantaneous and permanent damage.

Physical Dimensions (mm)



Note: The specification is subject to regular reviews and will be updated from time to time as part of our continuing product development and improved specification accuracy.