

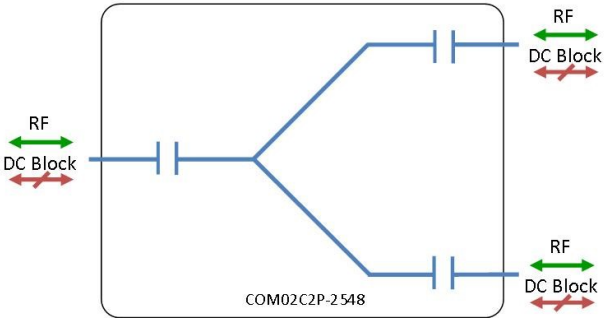


RF Components

Model Number:  
**COM02C2P-2548**

# 2-Way Passive C-Band Splitter/Combiner

5.8-6.5 GHz



- All RF ports DC blocked
- Available with RF connector options:
- 50 Ω SMA
  - 50 Ω N-type



**5.8-6.5 GHz**  
Operating frequency range. C-Band ready



**Compact**  
Housed in rugged compact enclosure

**Flexible Mounting**  
Tapped screw & through hole mounting options

Passive

RF Parameters		
COM02C2P-2548-XXXX	S5S5	N5N5
Frequency Range	5.8-6.5 GHz	
RF Connectors	50Ω SMA	50Ω N-Type
Mean Insertion Loss (dB)	1.0±0.3	1.0±0.3
Flatness ± (dB)	0.5	0.5
Input Return Loss (dB)	Typ.	20
	Min	13
Output Return Loss (dB)	Typ.	18
	Min	14
Isolation (dB)	Typ.	20
Amplitude Balance (dB)	≤0.2	≤0.2
Phase Balance (Φ)	≤5°	≤5°
The given Insertion Loss specified is the loss above the theoretical limit for a lossless divider		

**Broadcast**



**Marine Oil & Gas**



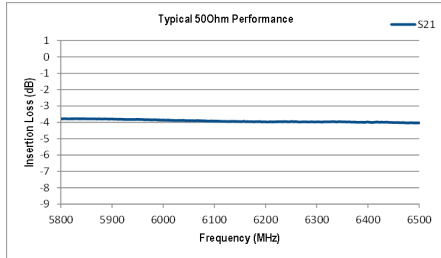
**SNG & VSAT**



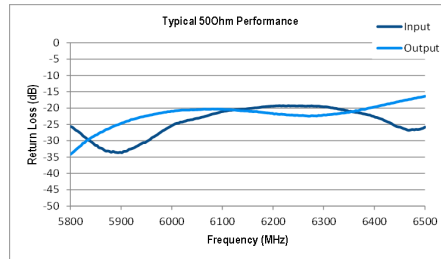
**Satellite Teleport**



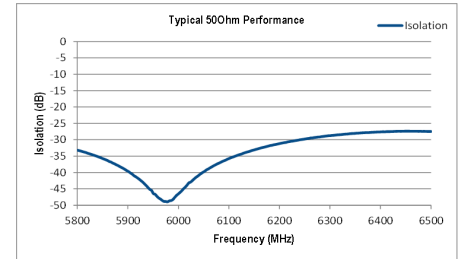
### Technical specifications and operating parameters



Insertion Loss (dB)



Return Loss (dB)



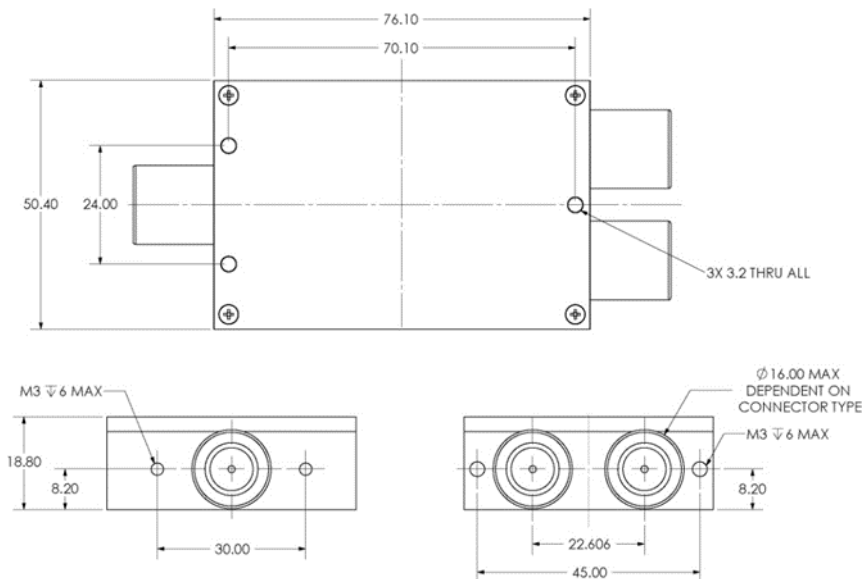
Isolation (dB)

Environmental	
Operating Temperature	0°C to +45°C
Storage Temperature	-20°C to +75°C
Location	Indoor use Only
Humidity	Max. 85% non-condensing
Altitude	Max. 10,000 feet

Max Operating Parameters	
Input RF Power	+37 dBm (5W) as splitter +27 dBm (500mW) as combiner
DC Voltage	35V on any RF port
DC Current	N/A
DC Consumption	N/A

**!** Operation beyond these limits may cause instantaneous and permanent damage.

### Physical Dimensions (mm)



Note: The specification is subject to regular reviews and will be updated from time to time as part of our continuing product development and improved specification accuracy.