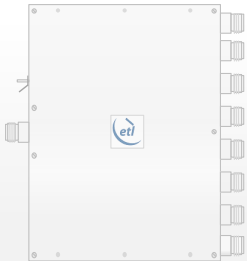


8-way L-band Active Splitter



DIV08L1A-2308 is an 8-way active L-band splitter with unity gain and DC block on all ports. It requires 8-18V external DC bias.

This component is available with the following RF connector options: 50 Ω SMA, N-type, BNC and 75 Ω BNC or F-type.

Summary table for RF performance over L-band operation, 850 MHz to 2150 MHz

Model Numbers	RF ports	Gain (dB)	Gain Flatness (dB)		1dB GCP* (dBm)		NF (dB)		Return Loss (dB)		Isolation (dB)	
			Typ.	Max	Typ.	Min	Typ.	Max	Typ.	Min	Typ.	Min
DIV08L1A-2308-S5S5	50Ω SMA	0± 2	± 0.5	± 1.2	0	-2	6	8	18	12	28	18
DIV08L1A-2308-N5N5	50Ω N-type	0± 2	± 0.5	± 1.2	0	-2	6	8	18	12	28	18
DIV08L1A-2308-B5B5	50Ω BNC	0± 2	± 0.5	± 1.2	0	-2	6	9	16	10	25	17
DIV08L1A-2308-B7B7	75Ω BNC	0± 2.2	± 0.7	± 1.2	0	-2	7	9	15	10	23	17
DIV08L1A-2308-F7F7	75Ω F-type	0± 2.5	± 1.0	± 1.2	0	-3	7	9	12	8	23	16

*1dB Gain Compression Point (1dB GCP) is in relation to output power. Maximum current consumption is 80mA. Gain flatness defines the gain variation between the max & min gain points across the operational bandwidth.

Maximum acceptable operating parameters for reliable and safe operation

Parameter	Value	Comment
Input RF power	16dBm	Max total RF power
DC Voltage	48V	All R ports are DC blocked
Operating temperature	0 to 50 C	Indoor use only
Storage Temperature	-40 C to +85 C	
Humidity	80%	Non-condensing
Altitude	10,000 feet	Above Mean Sea level

! Operation beyond these limits may cause instantaneous and permanent damage.

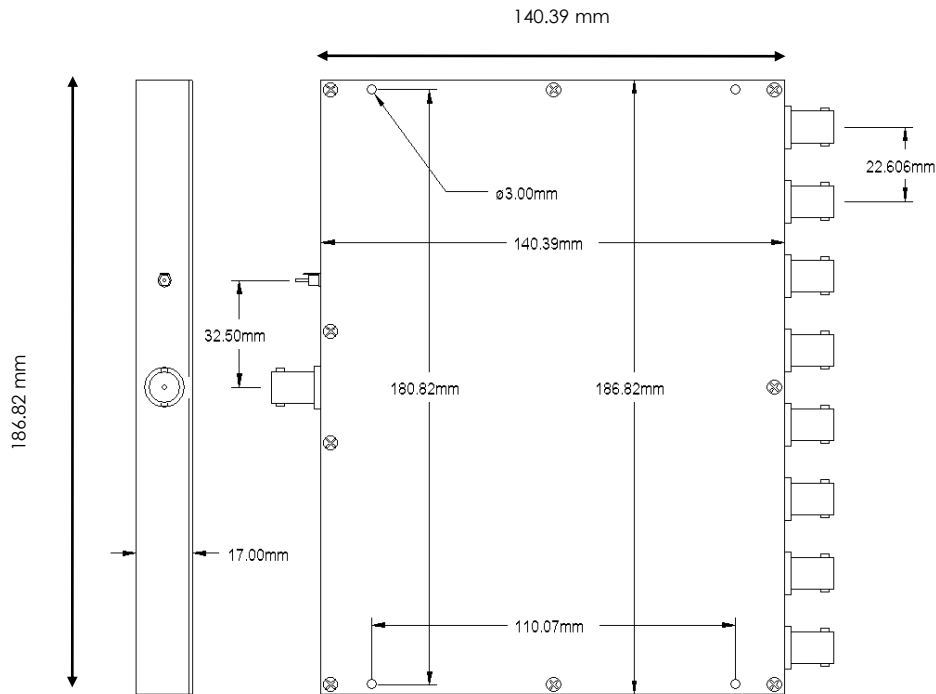
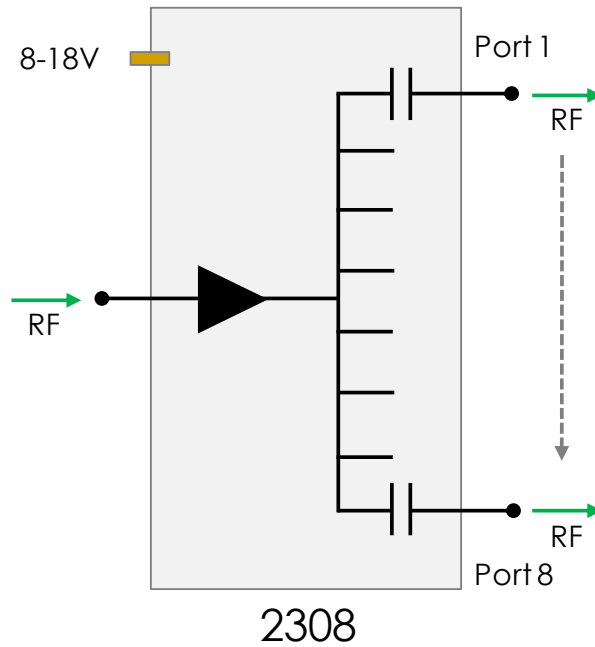


DIV08L1A-2308

8-way Active L-band Splitter

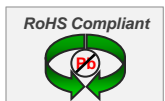


Vector diagram & physical dimensions



ETL Systems Ltd, Coldwell Radio Station, Madley, Hereford, HR2 9NE, England

ETL Systems design, develop and manufacture specialist equipment for satellite ground stations. For a full description of the ETL product range, please see our website at www.etlsystems.com. This product range provides the basis for meeting your specific demands.



Tel +44 (0)1981 259020
Fax +44 (0)1981 259021
info@etlsystems.com

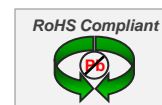
Alternative 8-way Active Splitters

Model Number	Gain / Frequency Response	Other Features
DIV08F2A-2333		IF frequency 20-1000MHZ. Integrated
DIV08L1A-2308	Unity gain	DC block on ALL ports
DIV08L1A-2320		10MHz/DC pass on ALL ports
DIV08L1A-2330	Unity gain	LNB bias with dual DC input pins
DIV08L1A-2334	Unity gain	10MHz/DC pass on port 1 only
DIV08L1A-2352	Unity gain	10MHz pass on ports 1 and 2 only, DC block on ALL ports
DIV08L1A-2354	Unity gain	10MHz/DC pass on ALL ports, DC block between outputs
DIV08L1A-2356	2dB gain / flat frequency response	Auto-changeover redundant amplifiers
DIV08L1A-2357	Unity gain	10MHz pass and DC block on ALL ports
DIV08F1A-2409	Unity gain / flat response	Extended frequency range: 50 to 2800MHz & 10MHz pass
DIV08B2A-2410	Unity gain / flat response	Extended frequency range: 50 to 2150MHz & 10MHz pass



ETL Systems Ltd, Coldwell Radio Station, Madley, Hereford, HR2 9NE, England

ETL Systems design, develop and manufacture specialist equipment for satellite ground stations. For a full description of the ETL product range, please see our website at www.etlsystems.com. This product range provides the basis for meeting your specific demands.



Tel +44 (0)1981 259020
 Fax +44 (0)1981 259021
info@etlsystems.com