



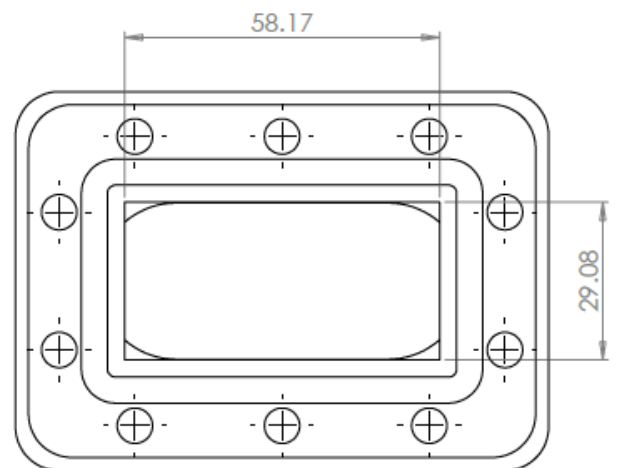
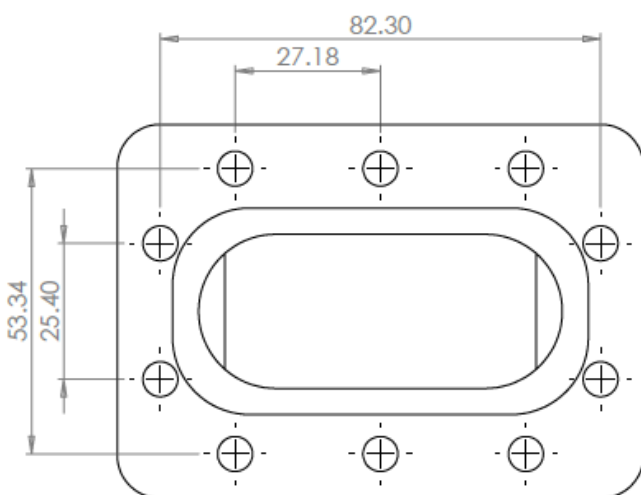
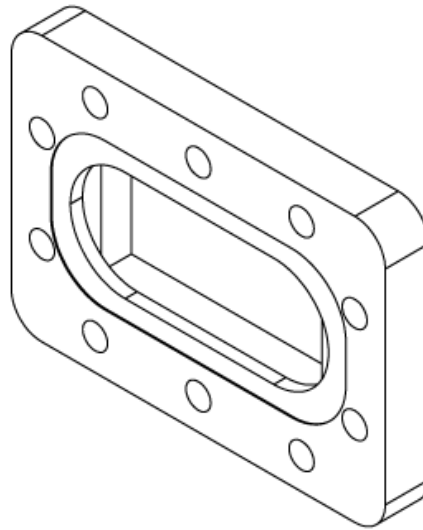
RF Components

Model Number:
CST-PRO-PI-1110

Waveguide Pressure Window

3.3 - 4.9 GHz

Specification	
Frequency	3.3 - 4.9 GHz
Waveguide Size	WG11A / WR229 / R40
Flange Type	CPR229F / CPR229G
VSWR	1.1:1
Pressure	15 PSI
Window Material	Kapton



Broadcast



Marine Oil & Gas



SNG & VSAT



Satellite Teleport

