

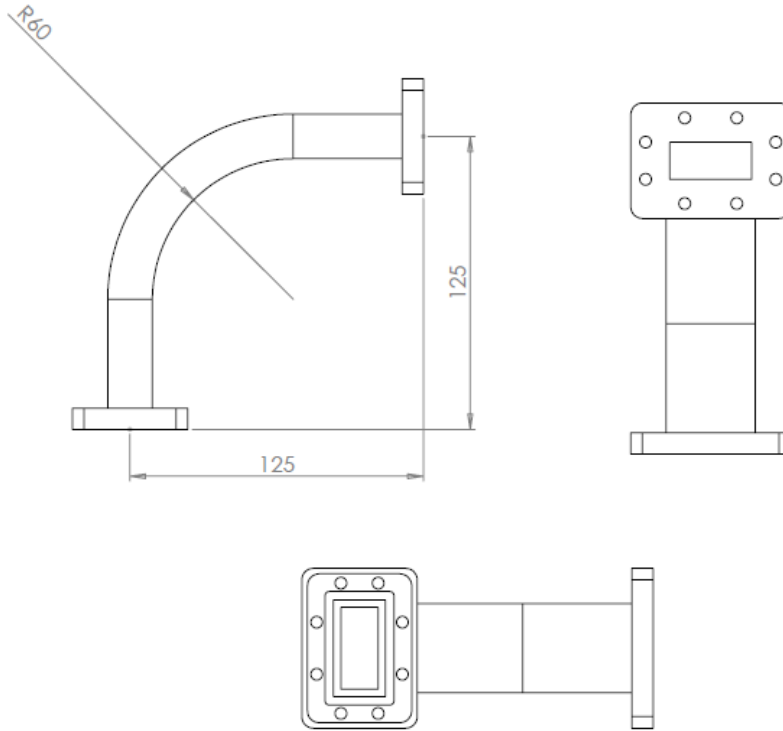


RF Components

Model Number:  
**WGBCX-1809**

# Waveguide E Plane 90 Deg Bend

5.85 - 8.2GHz



Specification	
Waveguide Size	WG14 / WR137 / R70
Frequency	5.85 - 8.2GHz
VSWR	1.05:1
Waveguide Flanges	CPR137F & CPR137G
Material	Copper WG, Brass Flanges
Finish	Black Paint

**Broadcast**



**Marine Oil & Gas**



**SNG & VSAT**



**Satellite Teleport**

