

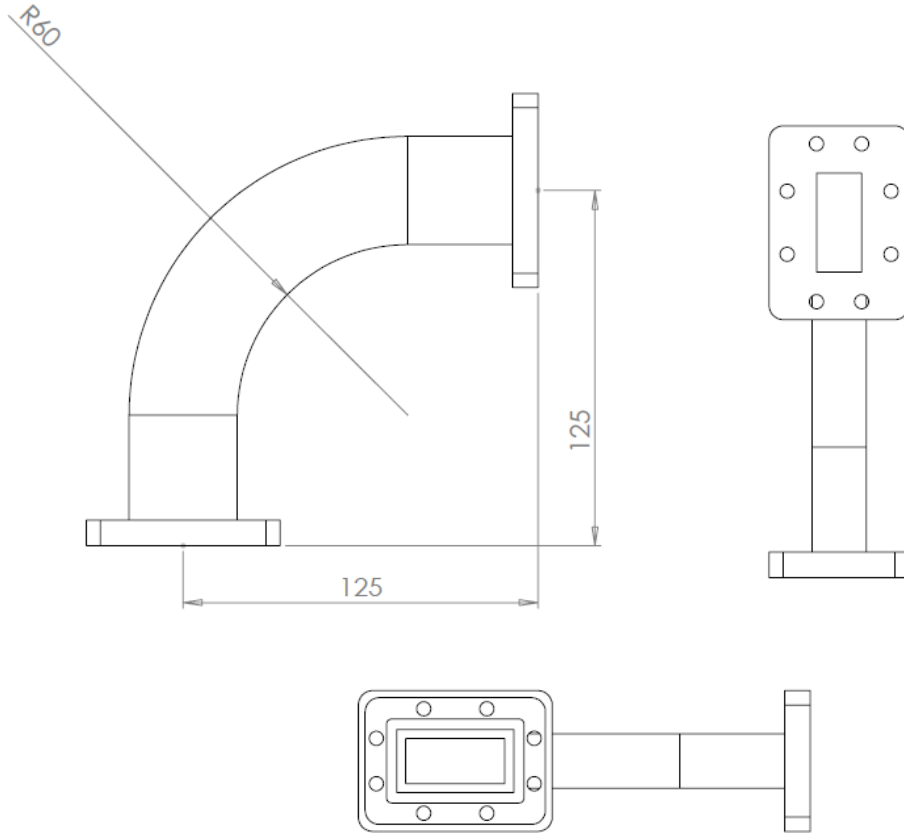


RF Components

Model Number:
WGBCX-1808

Waveguide H Plane 90 Deg Bend

5.85 - 8.2GHz



Specification	
Waveguide Size	WG14 / WR137 / R70
Frequency	5.85 - 8.2GHz
VSWR	1.05:1
Waveguide Flanges	CPR137F & CPR137G
Material	Copper WG, Brass Flanges
Finish	Black Paint

Broadcast



Marine Oil & Gas



SNG & VSAT



Satellite Teleport

