

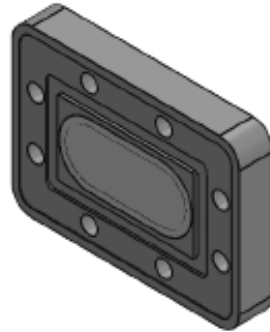


Model Number:
WGPWCX-1845

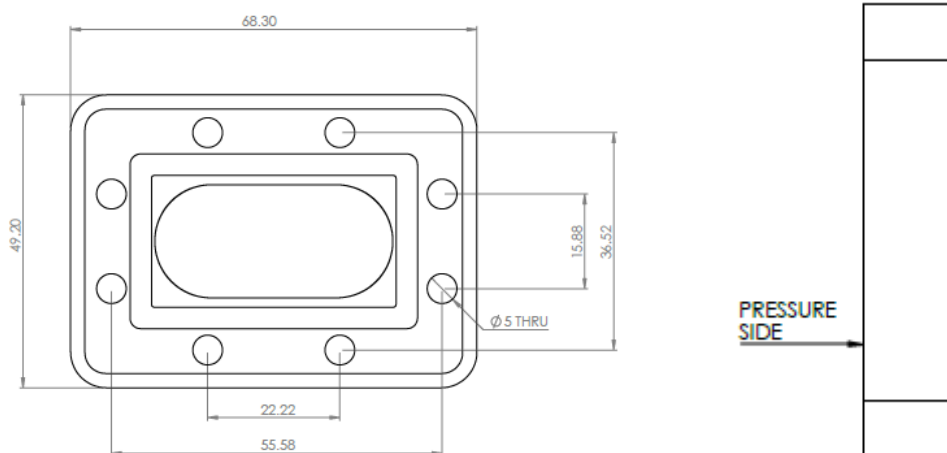
RF Components

C-Band Waveguide Pressure Window

5.85 to 8.20 GHz



Specification	
Frequency	5.85 to 8.20 GHz
Connectors	WG14 / WR137 / R70
Flange Type	CPR137 G/F
VSWR	1.1:1
Max Pressure	10 PSI
Material	Brass



Broadcast



Marine Oil & Gas



SNG & VSAT



Satellite Teleport

