

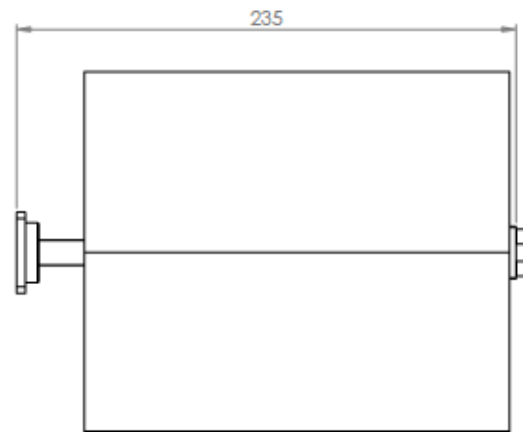
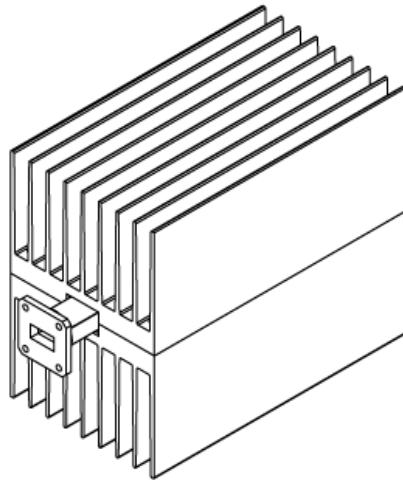
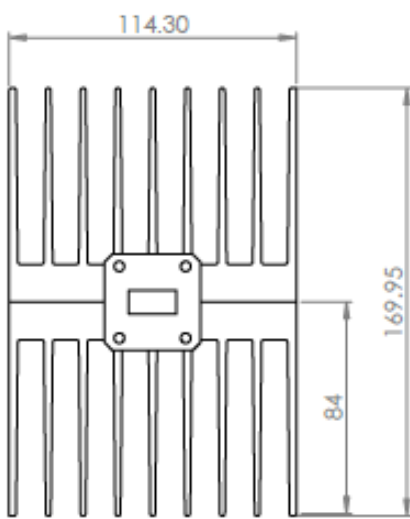


Model Number:
WGLK2-1835

RF Components

Ku-Band Waveguide Termination

10-15 GHz



Specification	
Frequency	10 to 15 GHz
Connectors	WG17 / WR75 / R120
Flange Type	UBR120
VSWR	1.1:1 Optimised (13.75-14.5 GHz)
Power	1KW CW
Material	Brass

Broadcast



Marine Oil & Gas



SNG & VSAT



Satellite Teleport

