

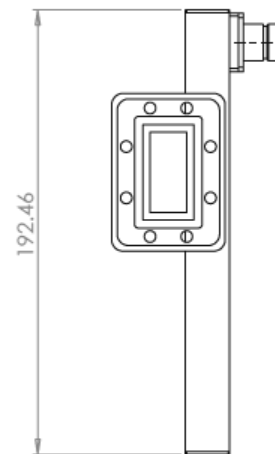
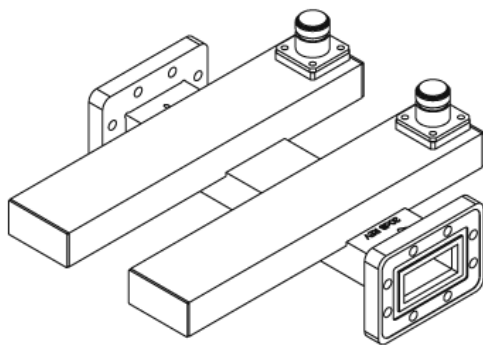
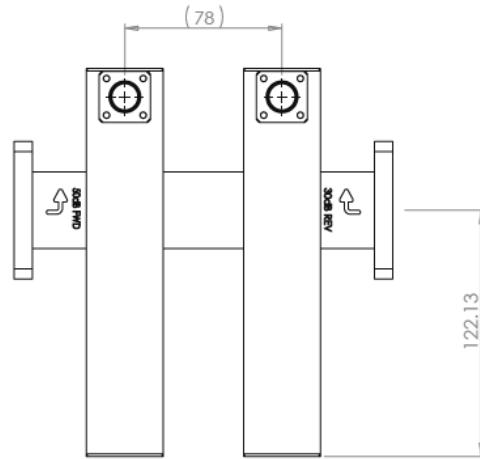
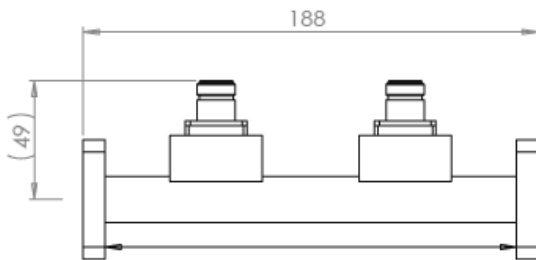


Model Number:
WGCCX-1839

RF Components

C-Band Cross Guide Coupler

5.85 - 8.2GHz



Specification	
Waveguide Size	WG14 / WR137 / R70
Frequency	5.85 - 8.2GHz
Forward Coupling	50 dB typ
Reverse Coupling	30 dB typ
VSWR Main Arm	1.1:1 typ
VSWR Coupled Arms	1.25:1 typ
Coupled Port RF connector	N-Type
Waveguide Flanges	CPR137G
Material	Brass Flanges
Finish	Black Paint

Broadcast



Marine Oil & Gas



SNG & VSAT



Satellite Teleport

