

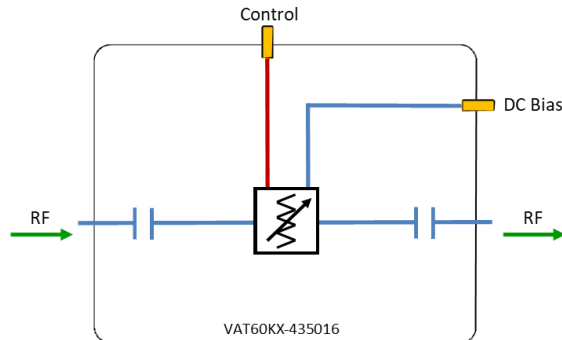


Model Number:
VAT60KX-435016

RF Components

Wideband 60dB Variable Attenuator

1-24 GHz



- Wide attenuation range 0-60dB
- Small 0.5dB Minimum Step
- 7.0dB Insertion Loss at 24GHz
- TTL Controllable

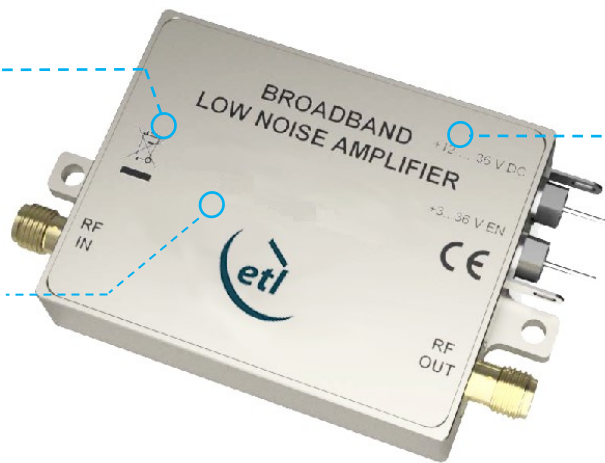
Available with RF connector options:

- 50 Ω 2.92mm

Compact
Housed in rugged compact enclosure

12-20 V
External DC powering

1-24 GHz
Wide operating frequency range.



Technical specifications and operating parameters

RF Parameters		
VAT60KX-435016-XXXX		K5K5
Frequency Range		1-24 GHz
RF Connectors		50Ω 2.92mm
Insertion Loss (dB)*	Max	7.0
Attenuation Range (dB)		0-60
Attenuation Step Size (dB)		0.5
Return Loss (dB)	Max	8
Input P0.1dB (dBm)	Min	27
Input IP 3 (dBm)	Typ	50
Performance at 25°C *At 0dB Attenuation Setting		

Environmental		
Operating Temperature		-20°C to +65°C
Storage Temperature		-20°C to +65°C
Location		Indoor use Only
Humidity	Max	85% non-condensing
Altitude	Max	10,000 feet

Max Operating Parameters	
RF Power on Input	25 dBm
RF Power on Output	16 dBm
DC Voltage	12-20V
DC Current	N/A
DC Consumption	250 mA

! Operation beyond these limits may cause instantaneous and permanent damage.

Broadcast



Marine Oil & Gas



SNG & VSAT



Satellite Teleport

