

L-band Impedance Transformer



TRFL1-4601 is an L-band passive impedance transformer with DC and 10MHz block on both ports.

This component is available with the following RF connector options: 50 Ω SMA, N-type, BNC and 75 Ω BNC or F-type.

Summary table for RF performance over L-band operation, 850 MHz to 2150 MHz

Model Numbers	50Ω Port			75Ω Port			Insertion Loss (dB)	
	Type	Return Loss (dB)		Type	Return Loss (dB)		Typ.	Max
		Typ	Min		Typ	Min		
TRFL1-4601-S5B7	SMA	20	15	BNC	18	12	0.5	0.8
TRFL1-4601-S5F7	SMA	20	15	F-type	16	12	0.6	0.9
TRFL1-4601-N5B7	N-type	20	15	BNC	18	14	0.5	0.8
TRFL1-4601-N5F7	N-type	20	15	F-type	16	12	0.6	0.9
TRFL1-4601-B5B7	BNC	18	14	BNC	18	14	0.5	0.8
TRFL1-4601-B5F7	BNC	18	14	F-type	16	12	0.6	0.9

Maximum acceptable operating parameters for reliable and safe operation

Parameter	Value	Comment
Input RF power	+37 dBm (5W)	Max total RF power
DC Voltage	50V	Any RF port
DC Current	3.5A max	
Operating temperature	0 to 45°C	Indoor use only
Storage Temperature	-20°C to +75°C	
Humidity	85%	Non-condensing
Altitude	10,000 feet	Above Mean Sea Level

! Operation beyond these limits may cause instantaneous and permanent damage.



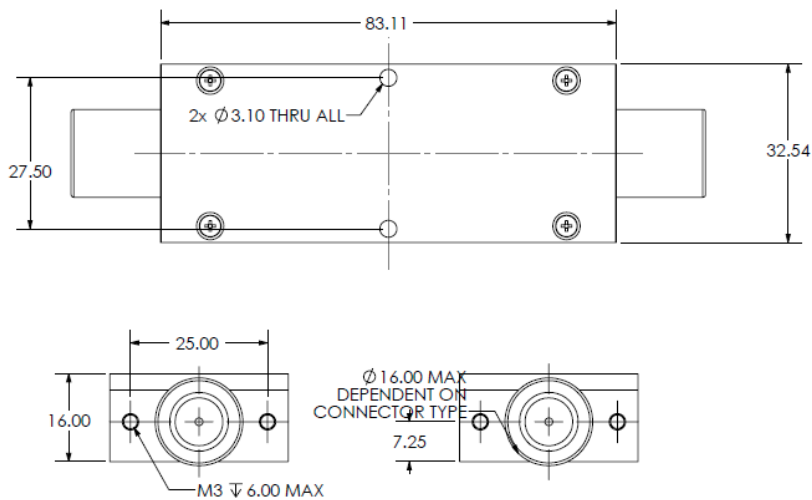
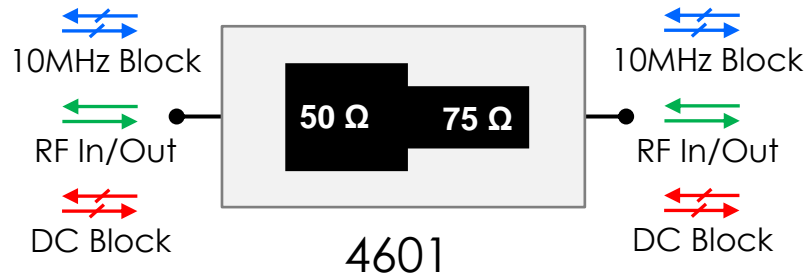
RESILIENCE

RELIABILITY

RF PERFORMANCE

CUSTOM BUILD

Vector diagram & physical dimensions



ETL's range of Impedance Transformers

Model Number	DC block/pass	10MHz block/pass	Other features
TRFL1-4600	DC pass	10MHz pass	
TRFL1-4601	DC block	10MHz block	
TRFL1-4602	DC block	10MHz pass	
TRFL1-4606	DC block on 50Ω port		DC injection onto 75Ω port
TRFL1-4607	DC block on 75Ω port		DC injection onto 50Ω port
TRFB4-4603	DC pass	10MHz pass	Extended frequency range: 500-2500MHz (S-band)
TRFB4-4604	DC block	10MHz block	Extended frequency range: 500-2500MHz (S-band)
TRFB4-4605	DC block	10MHz pass	Extended frequency range: 500-2500MHz (S-band)