



Model Number:
SCP-4306

RF Components

Scorpion Series 20 dB L-band Directional Coupler 850 - 2150 MHz



- DC and 10MHz pass between input and through ports.
- DC and 10MHz blocked on coupled port.
- To be used as standalone unit or fitted to the Scorpion 1U rack mount chassis SCP-1U-11.

Available with RF connector options:

- 50 Ω SMA
- 50 Ω N-type
- 50 Ω BNC
- 75 Ω BNC
- 75 Ω F-type.

Compact

Housed in rugged compact enclosure

Chassis Mounting

Tapped screw & through hole for use with Scorpion 1U chassis mount systems

850 - 2150 MHz
Operating frequency range.

RF Parameters						
SCP-4306	S5S5	N5N5	B5B5	B7B7	F7F7	
Frequency Range	850-2150 MHz					
RF Connectors	50Ω SMA	50Ω N-Type	50Ω BNC	75Ω BNC	75Ω F-Type	
Mean Coupling Factor (dB)	20±1.8 dB	20±1.8 dB	20±1.8 dB	20±1.8 dB	20±1.8 dB	
Through Line Insertion loss (dB)	Typ	1.2	1.2	1.2	1.7	1.7
	Min	1.7	1.7	1.7	2.2	2.2
Through Line Return Loss (dB)	Typ	20	20	20	14	14
	Min	14	14	14	8	8
Directivity* (dB)	Typ	14	14	14	14	14

*Directivity across frequency band will vary.

Broadcast



Marine Oil & Gas



SNG & VSAT



Satellite Teleport

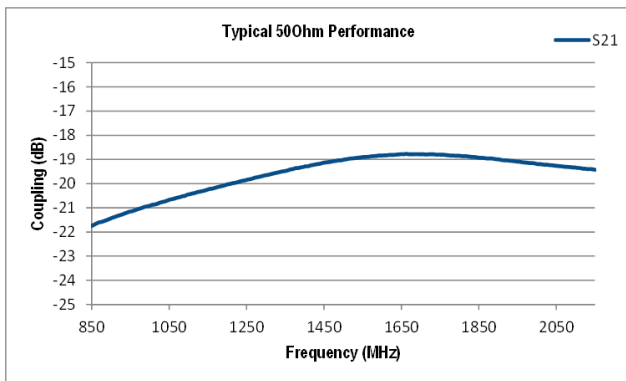


Technical specifications and operating parameters

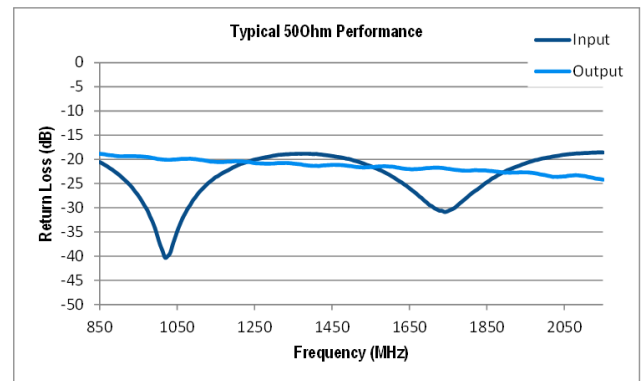
Environmental		
Operating Temperature	0°C to +45°C	
Storage Temperature	-20°C to +75°C	
Location	Indoor use Only	
Humidity	Max	85% non-condensing
Altitude	Max	10,000 feet

Max Operating Parameters	
Input RF Power	+35 dBm (5W)
DC Voltage	50V on any RF port
DC Current	3A Max

! Operation beyond these limits may cause instantaneous and permanent damage.

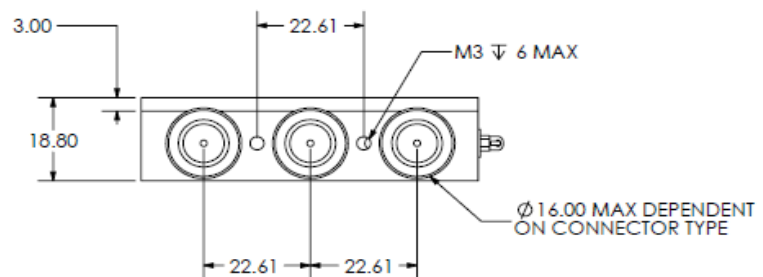
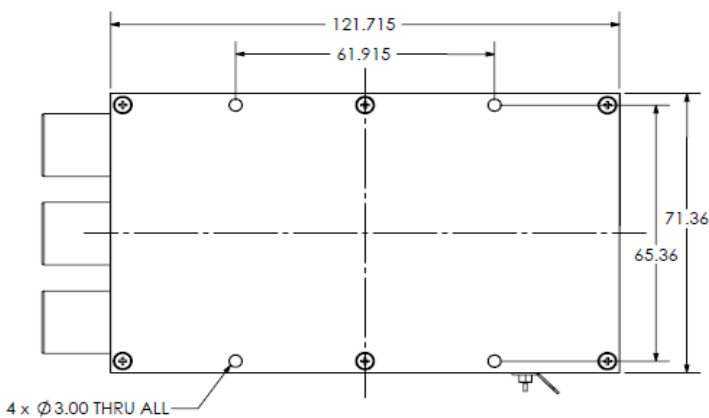


Coupling (dB)



Return Loss (dB)

Physical Dimensions (mm)



Note: The specification is subject to regular reviews and will be updated from time to time as part of our continuing product development and improved specification accuracy.