



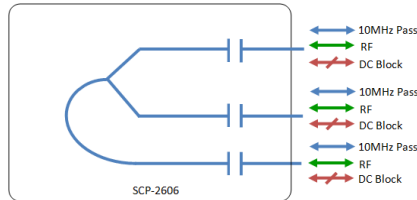
Model Number:
SCP-2606

RF Components

Scorpion Series

2-Way L-Band Passive Splitter/Combiner

850 - 2150 MHz



- All ports 10MHz Pass & DC block
- All connectors located on rear of unit
- To be used as standalone unit or fitted to the Scorpion 1U rack mount chassis SCP-1U-11

Available with RF connector options:

- 50 Ω SMA
- 50 Ω N-type
- 50 Ω BNC
- 75 Ω BNC
- 75 Ω F-type.

Compact

Housed in rugged compact enclosure

Chassis Mounting

Tapped screw & through hole for use with Scorpion 1U chassis mount systems

850 - 2150 MHz
Operating frequency range.

RF Parameters						
SCP-2606-XXXX	S5S5	N5N5	B5B5	B7B7	F7F7	
Frequency Range	850-2150 MHz					
RF Connectors	50Ω SMA	50Ω N-Type	50Ω BNC	75Ω BNC	75Ω F-Type	
Mean Insertion Loss (dB)	0.7±0.3	0.7±0.3	0.7±0.3	1±0.8	1±0.8	
Flatness ± (dB)	0.5	0.5	0.5	1.0	1.0	
Input Return Loss (dB)	Typ.	18	18	17	14	14
	Min	15	15	14	8	8
Output Return Loss (dB)	Typ.	18	18	17	14	14
	Min	15	15	14	8	8
Isolation (dB)	Typ.	20	20	20	18	18
Amplitude Balance (dB)	≤0.2	≤0.2	≤0.2	≤1.0	≤1.0	
Phase Balance (Φ)	≤4°	≤4°	≤4°	≤10°	≤10°	

The given Insertion Loss specified is the loss above the theoretical limit for a lossless divider
 10MHz Insertion Loss is up to 3dB above the theoretical loss*
 10MHz Rejection is 20dB*
 *To ports which are applicable

Broadcast



Marine Oil & Gas



SNG & VSAT



Satellite Teleport



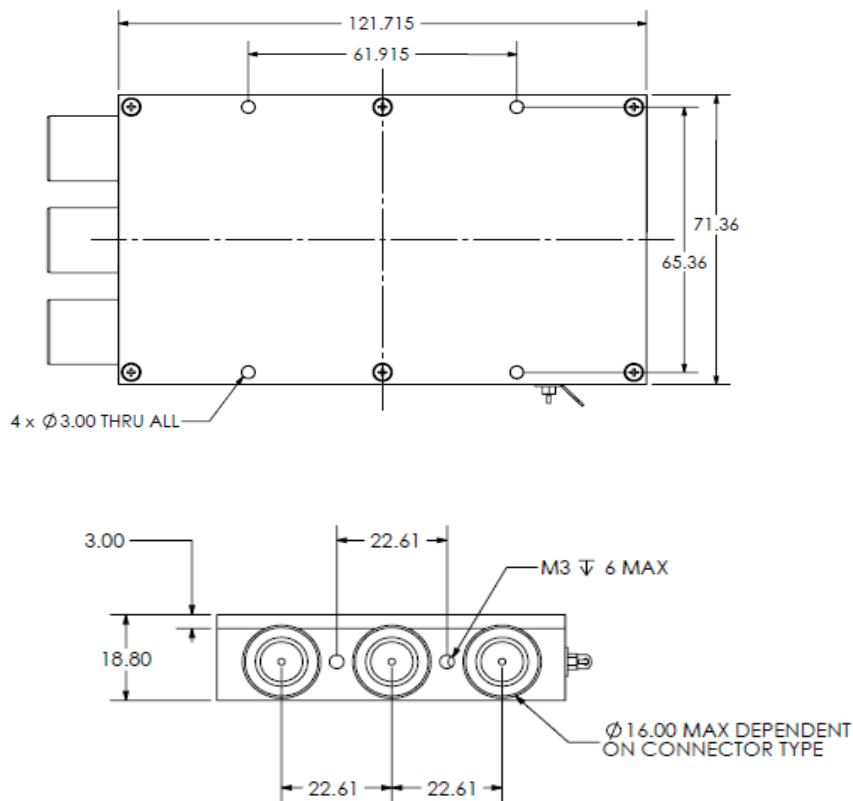
Technical specifications and operating parameters

Environmental		
Operating Temperature		0°C to +45°C
Storage Temperature		-20°C to +75°C
Location		Indoor use Only
Humidity	Max	85% non-condensing
Altitude	Max	10,000 feet

Max Operating Parameters	
Input RF Power (As Splitter)	+34 dBm (2.5W)
Input RF Power (As Combiner)	+27 dBm (0.5W)
DC Voltage	35V on any RF port
DC Current	1A Max

! Operation beyond these limits may cause instantaneous and permanent damage.

Physical Dimensions (mm)



Note: The specification is subject to regular reviews and will be updated from time to time as part of our continuing product development and improved specification accuracy.