

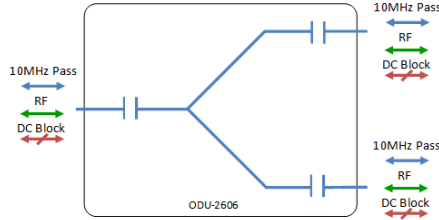


RF Components

IP67 2-Way L-Band Passive Splitter/Combiner

850 - 2450 MHz

Model Number:
ODU-2606



- DC blocked on all RF ports
- 10MHz pass on all RF ports

Available with RF connector options:

- 50 Ω SMA
- 50 Ω N-type
- 50 Ω TNC

Compact & Waterproof
Housed in IP67 rated waterproof enclosure



850-2450 MHz
Operating frequency range. L-Band ready

Flexible Mounting
Through hole mounting options

RF Parameters				
ODU-2606-xxxx		S5S5	N5N5	T5T5
Frequency Range		850-2450MHz		
RF Connectors		50Ω SMA	50Ω N-Type	50Ω TNC
Mean Insertion Loss (dB)		0.4 ± 0.2	0.4 ± 0.2	0.4 ± 0.2
Flatness (dB)		0.25	0.25	0.25
Input Return Loss (dB)	Typ.	20	20	20
	Min.	16	16	16
Output Return Loss (dB)	Typ.	26	26	26
	Min.	18	18	18
Isolation (dB)	Typ.	25	25	25
	Min.	20	20	20
Amplitude Balance (dB)		≤0.2	≤0.2	≤0.2
Phase Balance (Degrees)		≤2°	≤2°	≤2°

The given Insertion Loss specified is the loss above the theoretical limit for a lossless divider
 10MHz Insertion Loss is up to 3dB above the theoretical loss*
 10MHz Rejection is 20dB*
 *To ports which are applicable

Broadcast



Marine Oil & Gas



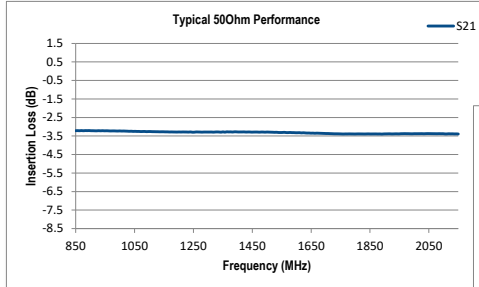
SNG & VSAT



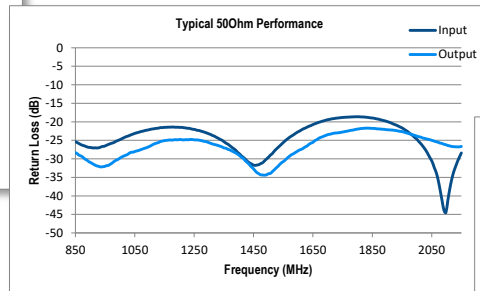
Satellite Teleport



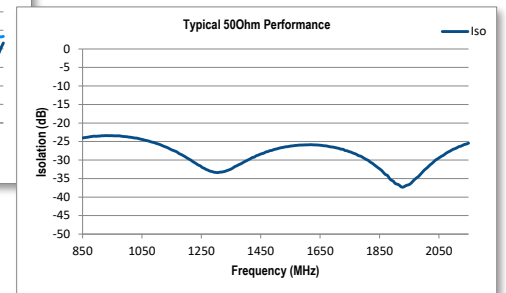
Technical specifications and operating parameters



Insertion Loss



Return Loss



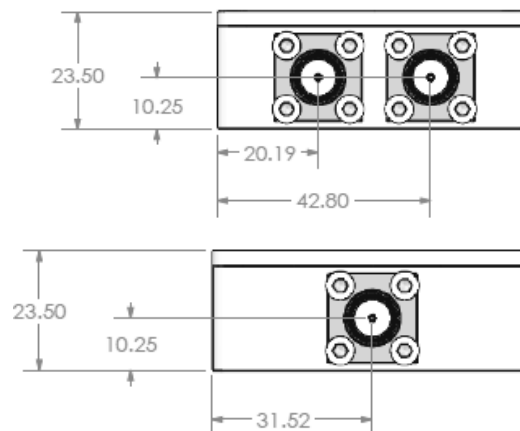
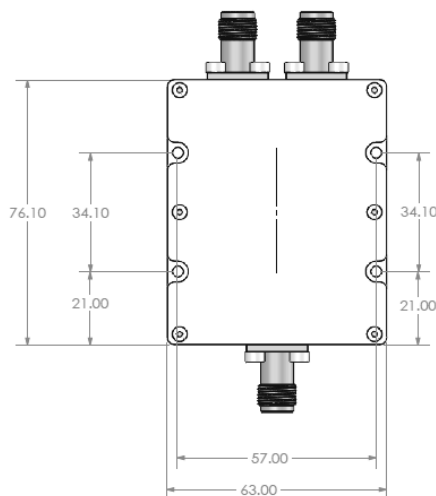
Isolation

Environmental		
Operating Temperature		-40 to +85 °C
Storage Temperature		-50 to +100 °C
Location		Indoor/Outdoor use
Humidity	Max.	100% non-condensing
Altitude	Max.	12,000 feet Operational 40,000 feet Survival

Max Operating Parameters	
Input RF Power into matched load with 20dB return loss	+37dBm (5W) as splitter +27dBm (500mW) as combiner
DC Voltage	35V on any RF port

! Operation beyond these limits may cause instantaneous and permanent damage.

Physical Dimensions (mm)



Note: The specification is subject to regular reviews and will be updated from time to time as part of our continuing product development and improved specification accuracy.