

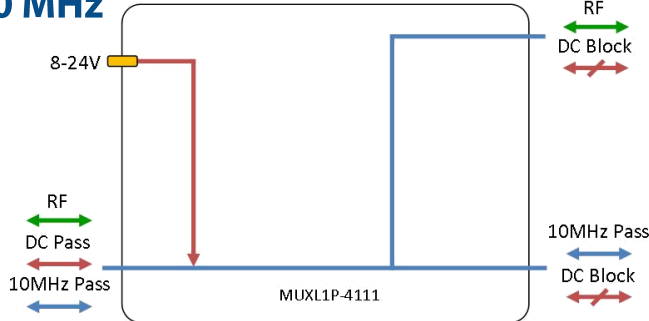


Model Number:
MUXL1P-4111

RF Components

L-Band Multiplexer

850 - 2150 MHz



- Multiplexes L-band, 10MHz and DC onto Port 1
- 10MHz Input port and Port 2 DC blocked
- Up to 7 amp DC rating

Available with RF connector options:

- 50 Ω SMA
- 50 Ω N-type
- 50 Ω BNC
- 75 Ω BNC
- 75 Ω F-type.



850-2150 MHz
operating frequency range. L-Band ready



Compact
housed in rugged compact enclosure

Flexible Mounting
Tapped screw & through hole mounting options

MUXL1P-4111-XXXXXX	RF Parameters				
	S5S5S5	N5N5N5	B5B5B5	B7B7B7	F7F7F7
Frequency Range	850-2150 MHz				
RF Connectors	50Ω SMA	50Ω N-Type	50Ω BNC	75Ω BNC	75Ω F-Type
Common Port:	-	-	-	-	-
Mean Insertion Loss (dB)	≤ 0.4	≤ 0.4	≤ 0.4	≤ 0.6	≤ 0.6
Flatness ± (dB)	0.15	0.15	0.2	0.5	0.5
Return Loss (dB)	18	18	16	12	12
	14	14	12	8	8
L-Band Port :	-	-	-	-	-
Return Loss (dB)	20	18	16	12	12
	15	14	12	8	8
10MHz :	-	-	-	-	-
Mean Insertion Loss (dB)	≤ 0.2	≤ 0.2	≤ 0.2	≤ 0.4	≤ 0.4
Isolation (dB)	22	22	22	18	18

Broadcast



Marine Oil & Gas



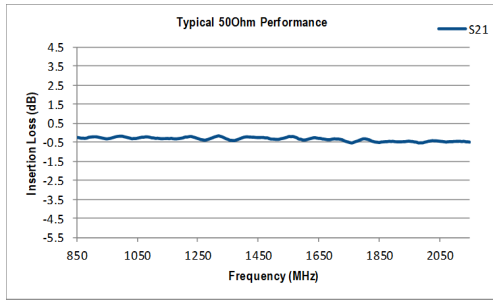
SNG & VSAT



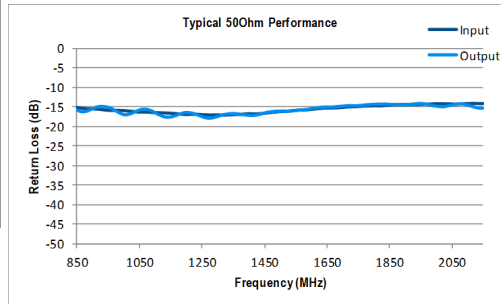
Satellite Teleport



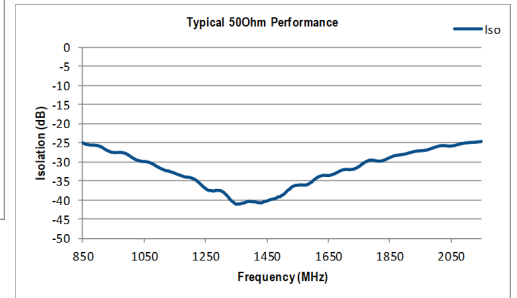
Technical specifications and operating parameters



Insertion Loss (dB)



Return Loss (dB)



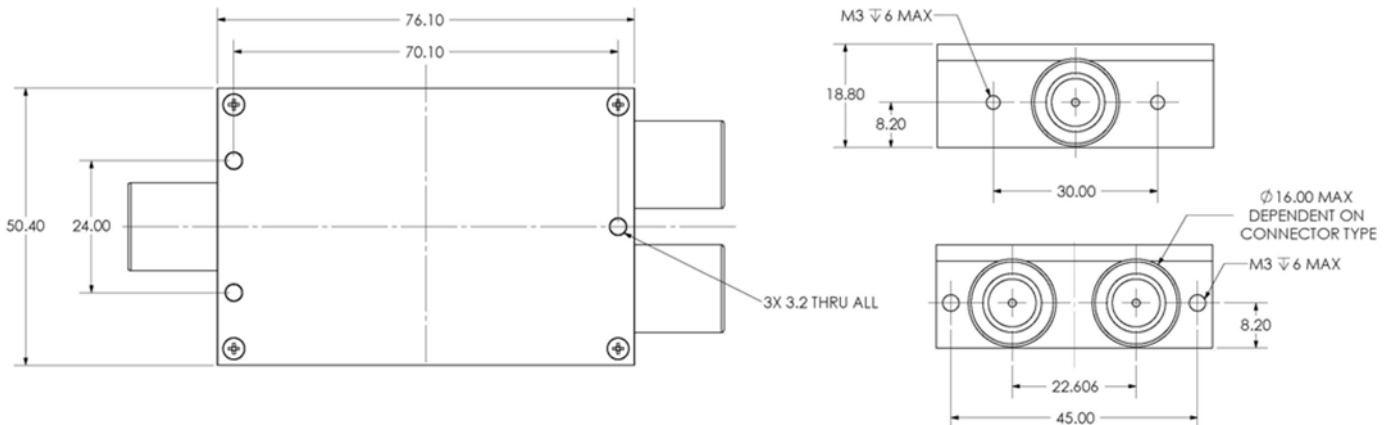
Isolation (dB)

Environmental	
Operating Temperature	0°C to 45°C
Storage Temperature	-20°C to +85°C
Location	Indoor use Only
Humidity	85% non-condensing
Altitude	10,000 feet

Max Operating Parameters	
Input RF Power	5W Max total RF power
DC Voltage	24V Max
DC Current	MUXL1P-4111 is rated 7Amp on N-type, 5Amp on BNC and 3 Amp on SMA or F-type.

! Operation beyond these limits may cause instantaneous and permanent damage.

Physical Dimensions



Note : The specification is subject to regular reviews and will be updated from time to time as part of our continuing product development and improved spec accuracy.