

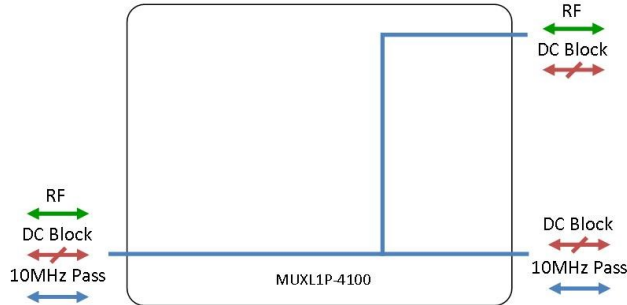


Model Number:
MUXL1P-4100

RF Components

L-Band Multiplexer

850 - 2150 MHz



- Multiplexes L-band & 10MHz onto Port1
- All ports DC blocked

Available with RF connector options:

- 50 Ω SMA
- 50 Ω N-type
- 50 Ω BNC
- 75 Ω BNC
- 75 Ω F-type.



850-2150 MHz
operating frequency range. L-Band ready



Compact
housed in rugged compact enclosure

Flexible Mounting
Tapped screw & through hole mounting options

RF Parameters					
MUXL1P-4100-XXXXXX	S5S5S5	N5N5N5	B5B5B5	B7B7B7	F7F7F7
Frequency Range	850-2150 MHz				
RF Connectors	50Ω SMA	50Ω N-Type	50Ω BNC	75Ω BNC	75Ω F-Type
Common Port:	-	-	-	-	-
Mean Insertion Loss (dB)	≤ 0.4	≤ 0.4	≤ 0.4	≤ 0.5	≤ 0.5
Flatness ± (dB)	0.1	0.1	0.2	0.2	0.2
Return Loss (dB)	20	18	16	12	12
	14	14	12	8	8
L-Band Port :	-	-	-	-	-
Return Loss (dB)	20	18	16	12	12
	14	14	12	8	8
10MHz :	-	-	-	-	-
Mean Insertion Loss (dB)	≤ 0.2	≤ 0.2	≤ 0.2	≤ 0.3	≤ 0.3
Isolation (dB)	25 typ.	25 typ.	25 typ.	20 typ.	20 typ.

Broadcast



Marine Oil & Gas



SNG & VSAT



Satellite Teleport

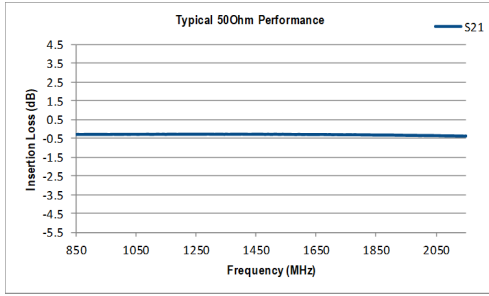




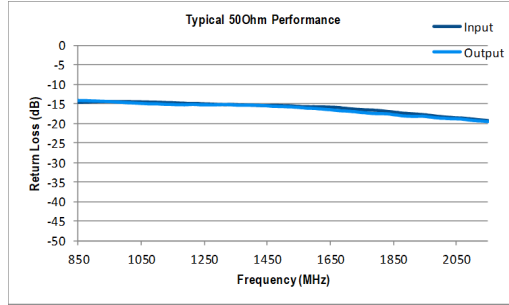
RF Components

Model Number:
MUXL1P-4100
L-band Multiplexer

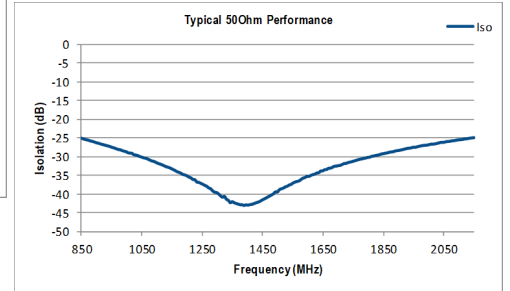
Technical specifications and operating parameters



Insertion Loss (dB)



Return Loss (dB)



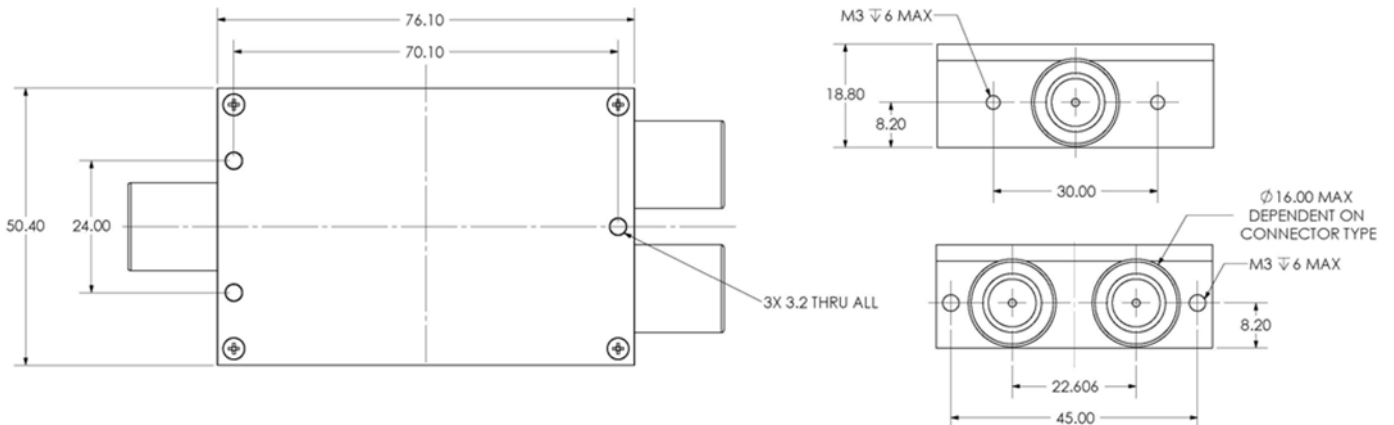
Isolation (dB)

Environmental	
Operating Temperature	-20°C to +55°C
Storage Temperature	-20°C to +85°C
Location	Indoor use Only
Humidity	85% non-condensing
Altitude	10,000 feet

Max Operating Parameters	
Input RF Power	5W Max total RF power
DC Voltage	24V Max

! Operation beyond these limits may cause instantaneous and permanent damage.

Physical Dimensions



Note : The specification is subject to regular reviews and will be updated from time to time as part of our continuing product development and improved spec accuracy.

ETL SYSTEMS LIMITED
Coldwell Radio Station
Madley
Hereford
England HR2 9NE

TELEPHONE
+44 (0)1981 259020

EMAIL
info@etlsystems.com

FACSIMILE
+44 (0)1981 259021

WEB
www.etlsystems.com