



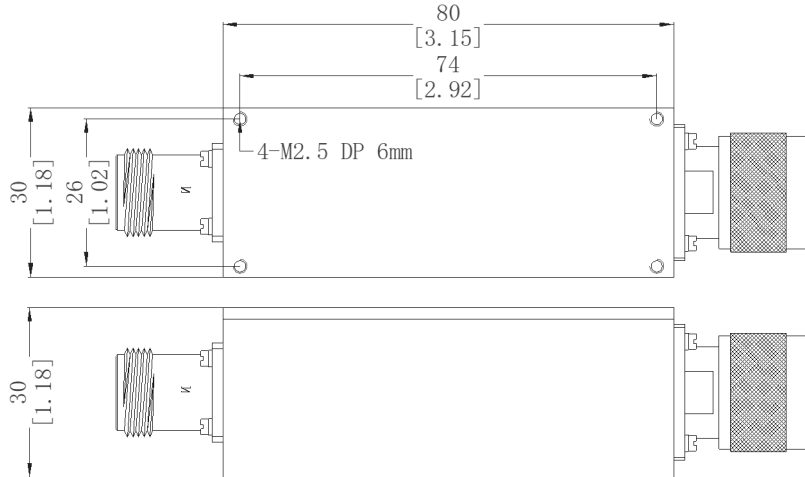
Model Number:
F-DBPFX-7127

RF Components

IF/UHF-Dual Band Bandpass Filter

114.5-139.5 & 224.5-399.5 MHz

Physical Dimensions



Filter

| RF Parameters | |
|-------------------------|---|
| F-DBPFX-7127 | N5N4 |
| Frequency Range | 114.5-139.5 MHz & 224.5-399.5 MHz |
| RF Connectors | 50Ω N-type F/M |
| Insertion Loss (dB) Max | 2.0 dB typical 3.0 @ 114.5 MHz |
| Return Loss (dB) Min | 10 |
| Power Handling (W) | 10 |
| Rejection | ≥30 dB @ 108 & ≥20 dB 150-200 MHz & 460 MHz |

| Environmental | |
|-----------------------|----------------|
| Operating Temperature | -20°C to +70°C |
| Storage Temperature | -55°C to +85°C |
| Location | For Indoor use |

Broadcast



Marine Oil & Gas



SNG & VSAT



Satellite Teleport

