



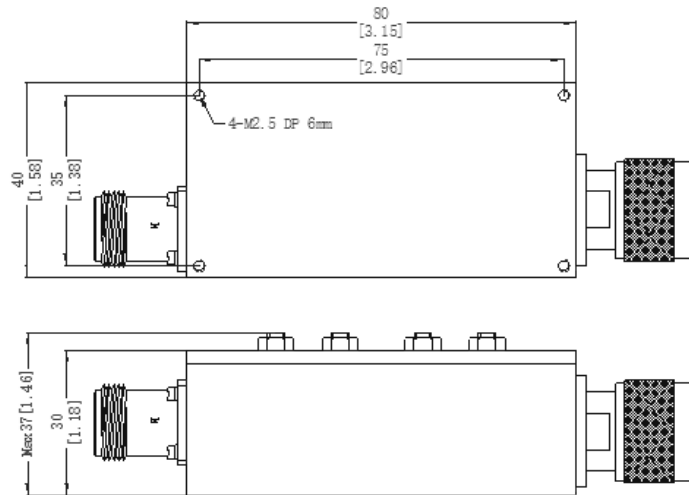
Model Number:
F-BPSX-7135

RF Components

S-Band Cavity Bandpass Filter

2200-2400 MHz

Physical Dimensions ($\pm 0.3\text{mm}$)



Filter

RF Parameters	
F-BPSX-7135	N5N4
Frequency Range (MHz)	2200 - 2400
Centre Frequency (MHz)	2300
RF Connectors	50 ohm N-type Female & Male
Insertion Loss (dB)	0.5 @CF
Return Loss (dB min)	16
Rejection	$\geq 34\text{dB}$ @ 2170 MHz & 2420 MHz
Max RF Power (W)	30

Environmental	
Operating Temperature	-40°C to 70°C
Storage Temperature	-55°C to +85°C
Location	For Indoor use
Humidity:	95%RH at 40°C
Shock:	20G for 11msec half sine wave, 3 axis both directions

Broadcast



Marine Oil & Gas



SNG & VSAT



Satellite Teleport

