



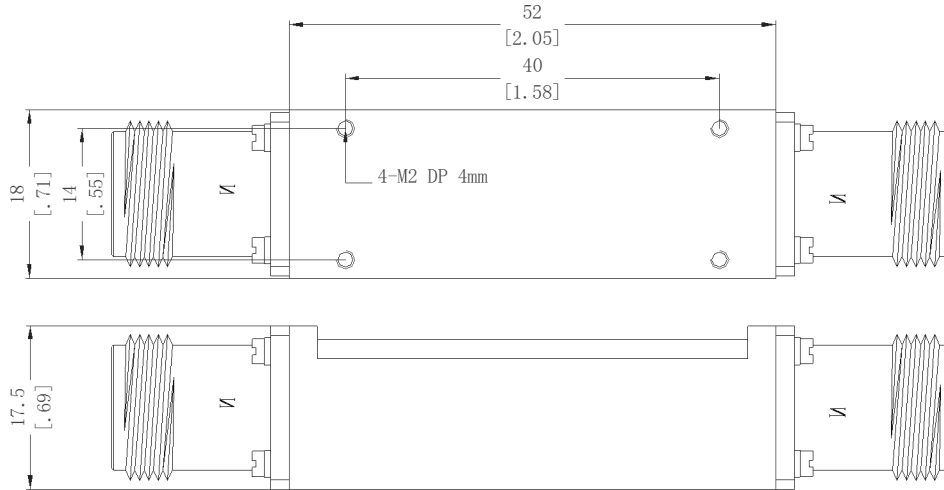
Model Number:  
**F-BPK3-7110**

RF Components

# S-Band Cavity Bandpass Filter

13999 MHz

Physical Dimensions ( $\pm 0.3\text{mm}$ )



# Filter

RF Parameters	
F-BPK3-7110	N5N5
Centre Frequency (MHz)	13999
Bandwidth (MHz)	15
RF Connectors	50 Female N-Type
Insertion Loss (dB max)	4.0 @ F0
Return Loss (dB min)	15
Rejection	$\geq 25\text{dB}@13750\text{-}13920\text{MHz}$
Max RF Power (W)	10

Environmental	
Operating Temperature	$25 \pm 5^\circ\text{C}$
Storage Temperature	$-55^\circ\text{C}$ to $+85^\circ\text{C}$
Location	For Indoor use
Altitude:	60,000 ft. 1.0psi min (Hermetically Sealed Un-controlled environment) (Optional)
Humidity:	95%RH at $40^\circ\text{C}$
Shock:	20G for 11msec half sine wave, 3 axis both directions

## Broadcast



## Marine Oil & Gas



## SNG & VSAT



## Satellite Teleport

