



RF Components

Model Number:
F-BPK1-7009-S5S5

Ku-Band Band Pass Filter

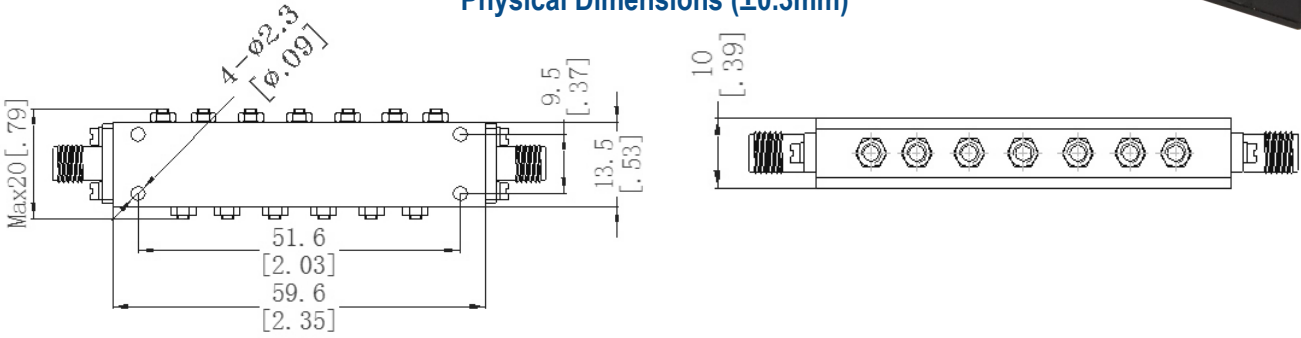
11700 - 12750 MHz

Available with RF connector options:

- 50 Ω SMA



Physical Dimensions (±0.3mm)



RF Parameters	
F-BPK1-7009	S5S5
Frequency Range	11700-12750 MHz
RF Connectors	50Ω SMA
Insertion Loss (dB)	1.2 max
Passband ripple	0.3dB pk-pk maximum within any 72MHz in passband
Input Return Loss (dB)	14 typ
Rejection @DC-9800 MHz	≥60dB
@14000-24000 MHz	≥40dB
@10750 MHz	≥50dB

Environmental	
Operating Temperature	0 to +40°C
Storage Temperature	-55°C to +85°C
Location	Indoor
Humidity	Max Up to 95% , @ 40°C

Max Operating Parameters	
Power Handling	5W cw max

! Operation beyond these limits may cause instantaneous and permanent damage.

Note: The specification is subject to regular reviews and will be updated from time to time as part of our continuing product development and improved specification accuracy.

Broadcast



Marine Oil & Gas



SNG & VSAT



Satellite Teleport

