

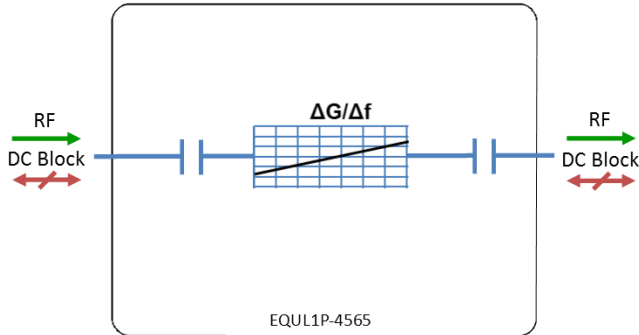


RF Components

L-band Passive Equalisers

850 - 2150 MHz

Model Number:
EQU1P-4565



Description specific to each product

- Reciprocal device
- DC block between the 2 ports
- 13dB positive slope

Available with RF connector options:

- 50 Ω SMA
- 50 Ω N-type
- 50 Ω BNC



850-2150 MHz
Operating frequency range. L-Band ready



Compact
Housed in rugged compact enclosure



Flexible Mounting
Tapped screw & through hole mounting options

RF Parameters				
EQU1P-4565-xxxx		S5S5	N5N5	B5B5
Frequency Range		850 - 2150 MHz		
RF Connectors		50Ω SMA	50Ω N-Type	50Ω BNC
Slope Positive (dB)		13±2.0	13±2.0	13±2.0
Input Return Loss (dB)	Typ.	15	15	15
	Min	12	12	12
Output Return Loss (dB)	Typ.	15	15	15
	Min	12	12	12

Broadcast



Marine Oil & Gas



SNG & VSAT



Satellite Teleport



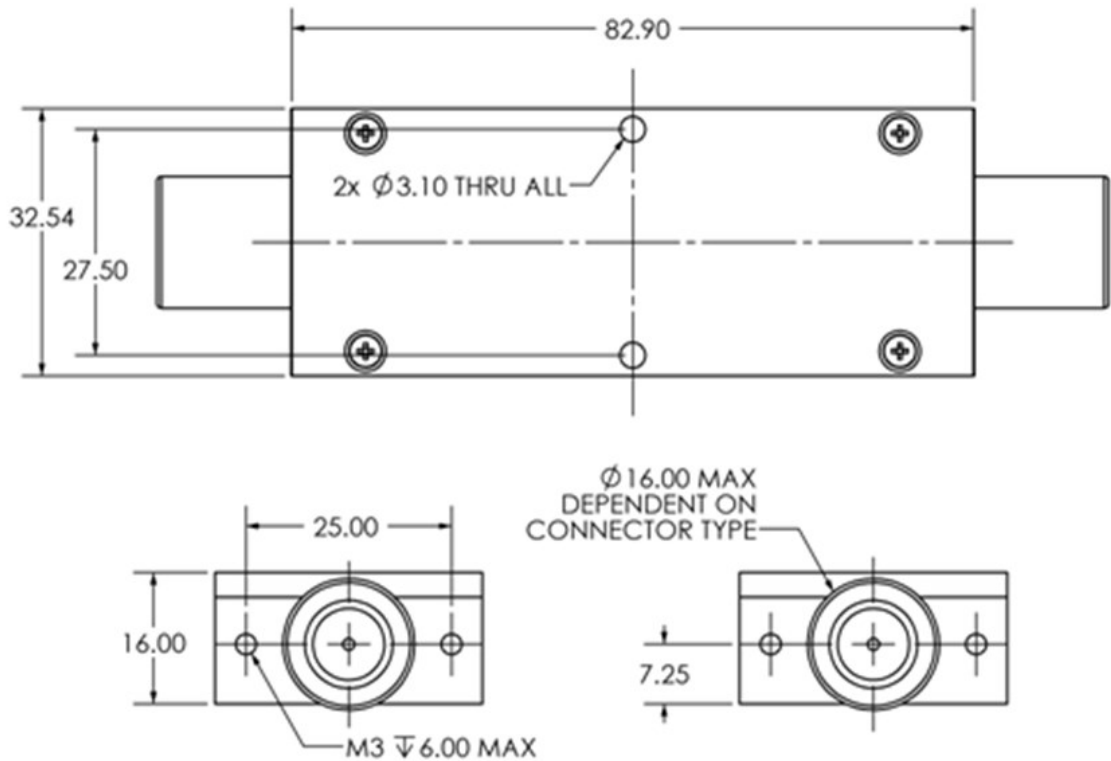
Technical specifications and operating parameters

Environmental		
Operating Temperature		0°C to +45°C
Storage Temperature		-20°C to +75°C
Location		Indoor use Only
Humidity	Max	85% non-condensing
Altitude	Max	10,000 feet

Max Operating Parameters	
Input RF Power	+16dBm
DC Voltage	35V on any RF port
DC Current	500mA
DC Consumption	100mA , 80mA(typ)

! Operation beyond these limits may cause instantaneous and permanent damage.

Physical Dimensions (mm)



Note: The specification is subject to regular reviews and will be updated from time to time as part of our continuing product development and improved specification accuracy.