



RF Components

3 dB Positive Slope Equaliser

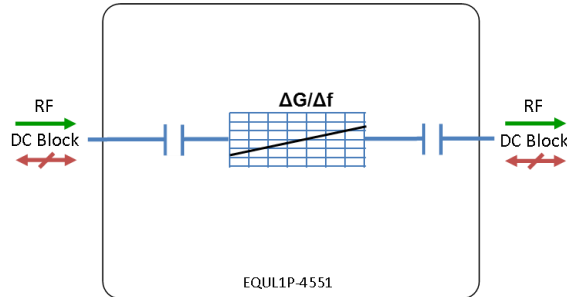
900 - 1500 MHz

Model Number:
EQUL1P-4551

- DC blocked between ports
- 3dB slope equaliser

Available with RF connectors:

- 50 Ω SMA



Compact

Housed in rugged compact enclosure

Flexible Mounting

Tapped screw & through hole mounting options

900 - 1500 MHz
Operating frequency range.

RF Parameters		
EQUL1P-4551		S5S5
Frequency Range		900 - 1500
RF Connectors		50Ω SMA
Mean Insertion Loss @ 1500 MHz (dB)		3 ± 0.3
Slope Positive (dB)		3.0 ± 0.5
Input Return Loss (dB)	Typ.	23
	Min	18
Output Return Loss (dB)	Typ.	23
	Min	18

Broadcast



Marine Oil & Gas



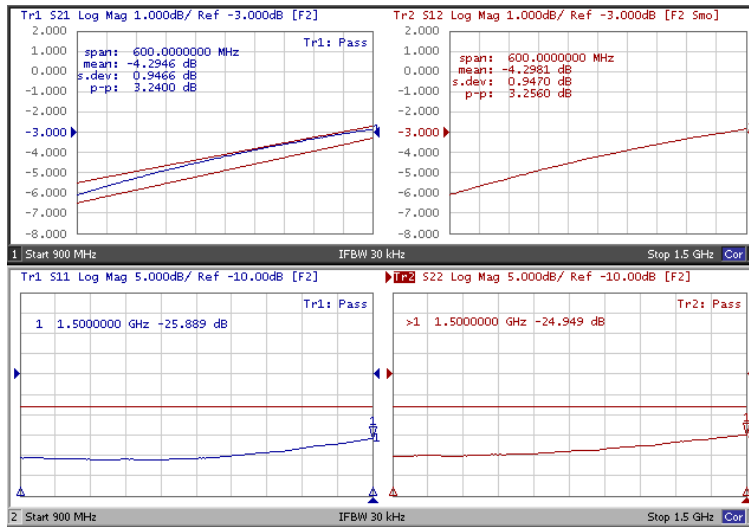
SNG & VSAT



Satellite Teleport



Technical specifications and operating parameters

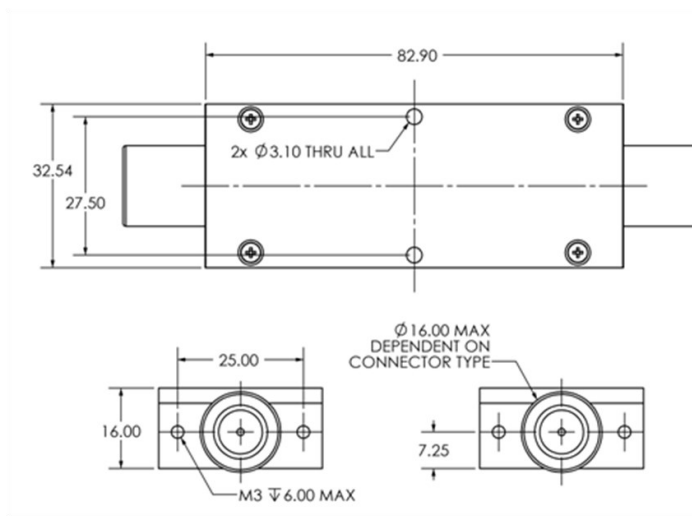


Environmental		
Operating Temperature		0°C to +45°C
Storage Temperature		-20°C to +75°C
Location		Indoor use Only
Humidity	Max	85% non-condensing
Altitude	Max	3,000m (~10,000 feet) AMSL

Max Operating Parameters	
Input RF Power	30 dBm (1W)
DC Voltage	30V on any RF port
DC Current	N/A

! Operation beyond these limits may cause instantaneous and permanent damage.

Physical Dimensions (mm)



Note: The specification is subject to regular reviews and will be updated from time to time as part of our continuing product development and improved specification accuracy.