



DIV16L1A-2399

RF Engineering & Custom Build

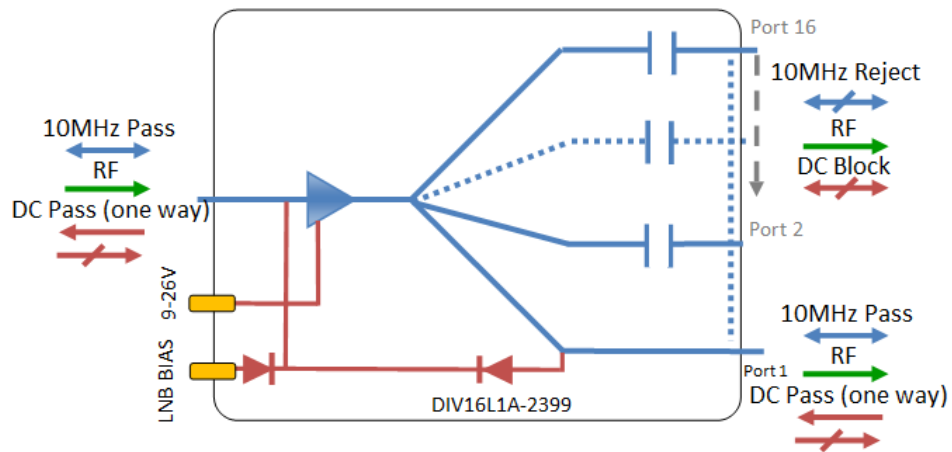
16-way L-band active splitter



DIV16L1A-2399 is a 16-way active L-band splitter with unity gain, 10MHz and DC pass from common port to port-1, all other ports are DC & 10MHz blocked. Current flow is restricted in one direction, into the common port only. There is a separate DC inject port to facilitate LNB bias.

This component is available with the following RF connector options: 50 Ω SMA, N-type, BNC and 75 Ω BNC or F-type.

Vector diagram



RF Parameters

DIV16L1A-2399-xxxx	S5S5	N5N5	B5B5	B7B7	F7F7
Frequency Range	850-2150MHz	850-2150MHz	850-2150MHz	850-2150MHz	850-2150MHz
RF Connectors	50Ω SMA	50Ω N-Type	50Ω BNC	75Ω BNC	75Ω F-Type
Gain	0±1.5	0±1.5	0±1.8	0±2.0	0±2.0
Input Return Loss	14dB typ	14dB typ	12dB typ	10dB typ	10dB typ
	11dB min	11dB min	10dB min	8dB min	8dB min
Output Return Loss	16dB typ	16dB typ	13dB typ	10dB typ	10dB typ
	12dB min	12dB min	10dB min	8dB min	8dB min
1 dB GCP*	2dBm typ	2dBm typ	2dBm typ	2dBm typ	2dBm typ
	0dBm min	0dBm min	0dBm min	0dBm min	0dBm min
IP3	12 dBm	12 dBm	12 dBm	12 dBm	12 dBm
Noise Figure	14 dB	14 dB	14 dB	14 dB	14 dB

1dB Gain Compression Point (1dB GCP) is in relation to output power.

Isolation: Isolation between any 2 output ports is typically 16dB .

Isolation: Isolation (reverse gain) between the common port and any of the output ports is typically 35dB.

10MHz Insertion loss is 0 ± 3dB

BROADCAST



MARINE OIL & GAS



SNG & VSAT



SATELLITE TELEPORT





16-way L-band active splitter

Environmental

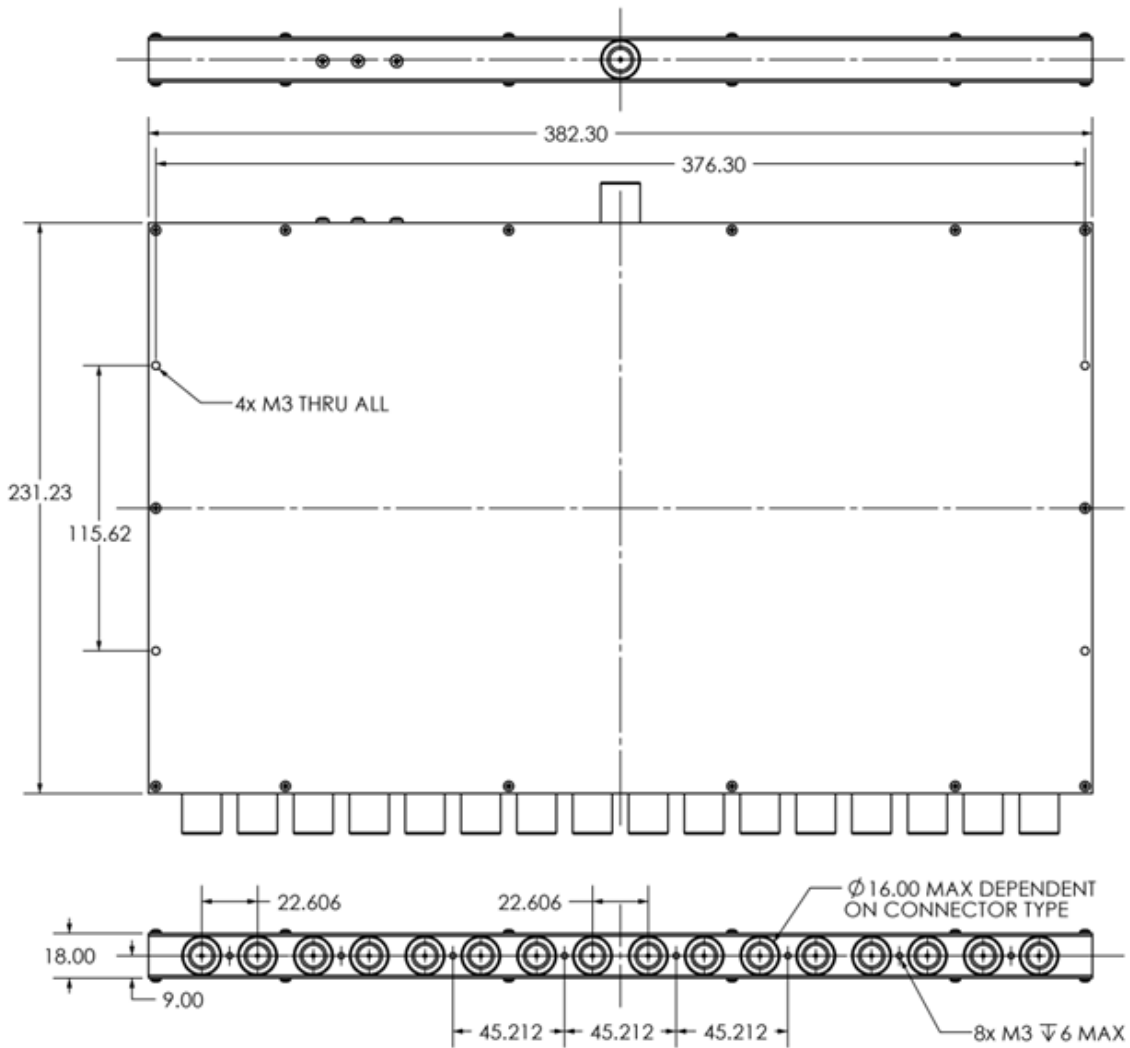
Operating Temperature	0°C to 45°C
Storage Temperature	-20°C to +75°C
Location	Indoor use Only
Humidity	85% non-condensing
Altitude	10,000 feet

Max Operating Parameters

Input RF Power	+16 dBm (40mW)
DC Voltage	30V on any RF port
DC Current	500mA
DC Consumption	100mA Max, 80mA typical

! Operation beyond these limits may cause instantaneous and permanent damage.

Physical dimensions





16-way L-band active splitter

Feature set for alternative 16-way Active L-band splitters			
Model Number	Frequency (MHZ)	Gain/Frequency response	10MHz/DC functionality
DIV16L1A-2323	850 - 2150	Unity gain	All RF ports are 10MHz & DC blocked
DIV16L1A-2329	850 - 2150	Unity gain	All RF ports are DC blocked
DIV16L1A-2337	850 - 2150	Unity gain	Common port to port 1 is DC pass all other RF ports are DC blocked
DIV16L1A-2349	850 - 2150	Unity gain	All RF ports are DC blocked
DIV16B2A-2414	50 - 2150		All RF ports are 10MHz pass & DC blocked
DIV16L1A-2399	850 - 2150	Unity gain	Common port to port 1 is 10MHz & DC pass & all other ports are 10MHz & DC blocked
DIV16L1A-2418	850 - 2150	Unity gain	Common port to port 1 is 10MHz & DC pass & all other ports are 10MHz & DC blocked
DIV16L1A-2422	850 - 2150	Unity gain / Flat response	All ports 10MHz blocked common port to port one DC pass all other ports DC blocked

* Custom designs available on request

