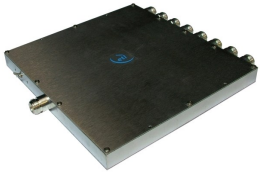




DIV08L1A-2395

RF Engineering &
Custom Build

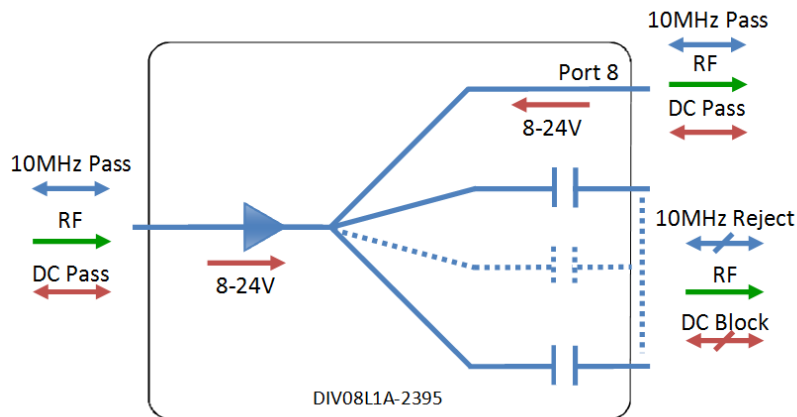
8-way L-band active splitter



DIV08L1A-2395 is an 8-way L-band active splitter with unity gain, flat frequency response with integral regulator. It requires 8 to 24V which can be injected onto Port 1 or the common port and passes through to provide LNB bias. All other RF ports are DC blocked.

This component is available with the following RF connector options: 50 Ω SMA, N-type, BNC and 75 Ω BNC or F-type.

Vector diagram



RF Parameters

DIV08L1A-2395-xxxx		S5S5	N5N5	B5B5	B7B7	F7F7
Frequency Range		850-2150MHz	850-2150MHz	850-2150MHz	850-2150MHz	850-2150MHz
RF Connectors		50Ω SMA	50Ω N-Type	50Ω BNC	75Ω BNC	75Ω F-Type
Gain(dB)		0 ± 2	0 ± 2	0 ± 2	0 ± 2.5	0 ± 2.5
Flatness ±(dB)		1.0	1.0	1.0	1.5	1.5
Input Return Loss (dB)	Typ.	20	20	20	14	14
	Min	14	14	14	8	8
Output Return Loss (dB)	Typ.	22	22	22	14	14
	Min	16	16	16	8	8
1 dB GCP* (dBm)	Typ.	0	0	0	0	0
	Min	-2	-2	-2	-2	-2
Output IP3(dBm)	Typ.	10	10	10	10	10
Noise Figure(dB)	Max.	12	12	12	12	12

1dB Gain Compression Point (1dB GCP) is in relation to output power.

Isolation: Isolation between any 2 output ports is typically 20dB .

Isolation: Isolation (reverse gain) between the common port and any of the output ports is typically 35dB.

10MHz Insertion loss on pass port is 0 ± 3dB above theoretical . Blocked ports <-40 dB

BROADCAST



MARINE OIL & GAS



SNG & VSAT



SATELLITE TELEPORT





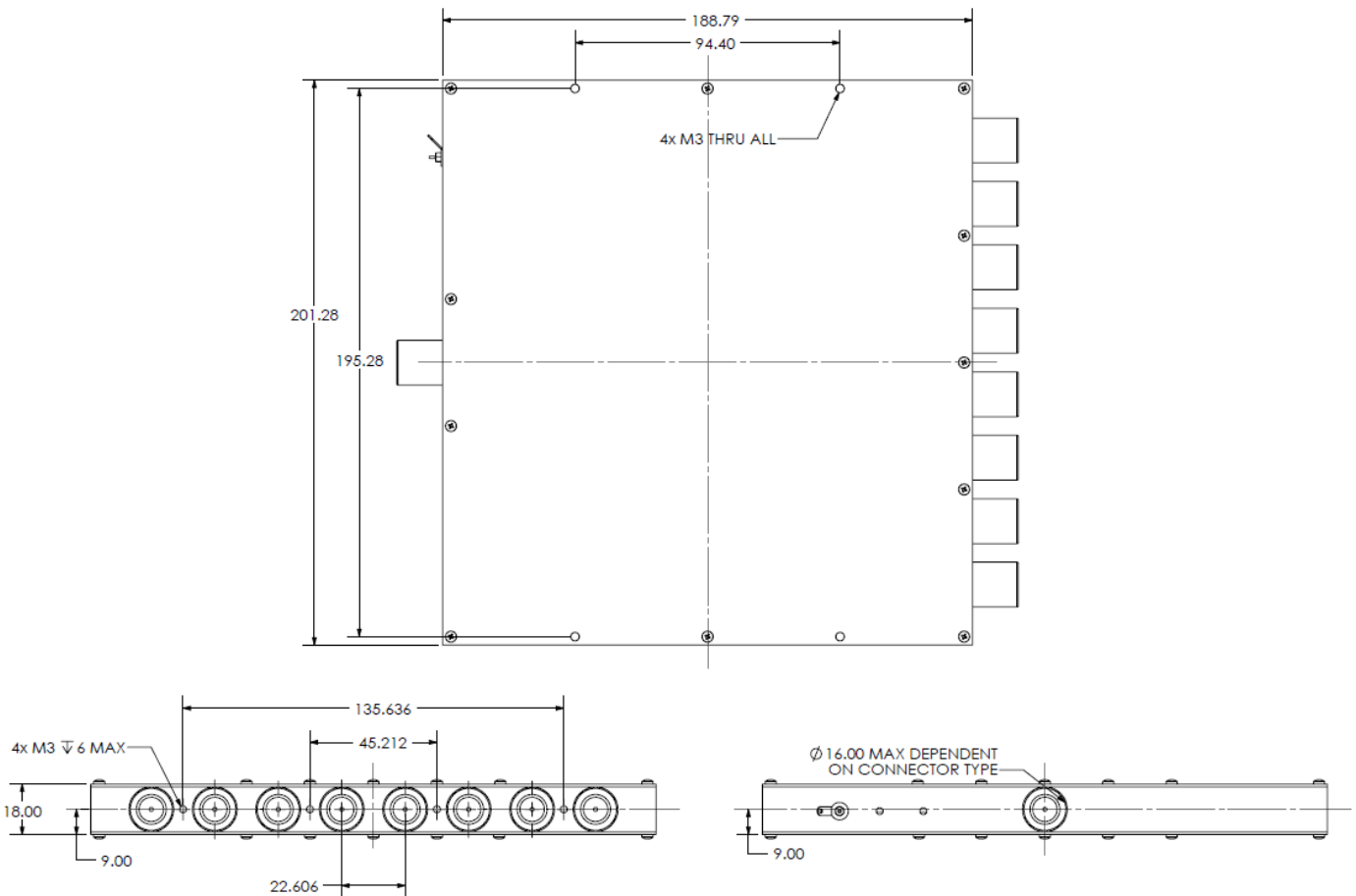
8-way L-band active splitter

Environmental	
Operating Temperature	0°C to 45°C
Storage Temperature	-20°C to +75°C
Location	Indoor use Only
Humidity	85% non-condensing
Altitude	10,000 feet

Max Operating Parameters	
Input RF Power	+16 dBm (40mW)
DC Voltage	35V on any RF port
DC Current	500mA
DC Consumption	100mA Max, 80mA typical

! Operation beyond these limits may cause instantaneous and permanent damage.

Physical dimensions



ETL SYSTEMS LIMITED
Coldwell Radio
Station
Madley
Hereford
England HR2 9NE

TELEPHONE
+44 (0)1981 259020
EMAIL
info@etlsystems.com

FACSIMILE
+44 (0)1981 259021
WEB
www.etlsystems.com



V 1.2 E&OE



8-way L-band active splitter

Feature set for alternative 8-way Active L-band splitters

Model Number	Frequency (MHZ)	Gain/Frequency response	10MHz/DC functionality
DIV08F1A-2409	50 - 2800		All RF ports are 10MHz pass & DC blocked
DIV08L1A-2308	850 - 2150	Unity Gain	All RF ports are DC blocked
DIV08L1A-2318	850 - 2150	15dB Gain	All RF ports are DC blocked
DIV08L1A-2320	850 - 2150	Unity Gain	10MHz & DC pass from common to port 1 all others 10MHz & DC blocked
DIV08L1A-2334	850 - 2150	Unity Gain	10MHz & DC pass from common to port 1 all others 10MHz & DC blocked
DIV08L1A-2347	850 - 2150	Unity Gain / Flat response	All RF ports are DC pass
DIV08L1A-2350	850 - 2150		
DIV08L1A-2352	850 - 2150	Unity Gain	10MHz pass from common to port 1 & 2 only all others 10MHz blocked & all ports DC blocked
DIV08L1A-2357	850 - 2150	Unity Gain	All RF ports are 10MHz pass & DC blocked
DIV08L1A-2366	850 - 2150	Unity Gain	10MHz & DC pass from common to port 1 all others DC blocked
DIV08L1A-2373	850 - 2150	Unity Gain	DC injection on port 1 all other ports are DC blocked
DIV08L1A-2376	850 - 2150	Unity Gain	10MHz pass from common to port 1 only all others 10MHz blocked & all ports DC pass
DIV08L1A-2321	850 - 2150	Unity Gain	All RF ports are DC blocked
DIV08B2A-2410	50 - 2150		All RF ports are 10MHz pass & DC blocked
DIV08L1A-2392	850 - 2150	Unity Gain	All RF ports are DC blocked
DIV08L1A-2395	850 - 2150	Unity Gain / Flat response	All RF ports are DC blocked
DIV08L1A-2397	850 - 2150	Unity Gain / Flat response	All RF ports are DC blocked
DIV08L1A-2398	850 - 2150	Unity Gain	10MHz & DC pass from common to port 1 all others 10MHz & DC blocked
DIV08L1A-2419	850 - 2150	Unity Gain	All RF ports are 10MHz & DC blocked
DIV08L1A-2421	850 - 2150	Unity Gain / Flat response	DC pass from common to port 1 only all others DC blocked & all ports 10MHz blocked
DIV08L1A-2427	850 - 2150	Unity Gain	10MHz pass from common to port 1 only all others 10MHz blocked & all ports DC blocked

* Custom designs available on request

ETL SYSTEMS LIMITED
Coldwell Radio
Station
Madley
Hereford
England HR2 9NE

TELEPHONE
+44 (0)1981 259020

EMAIL
info@etlsystems.com

FACSIMILE
+44 (0)1981 259021

WEB
www.etlsystems.com



V 1.2 E&OE