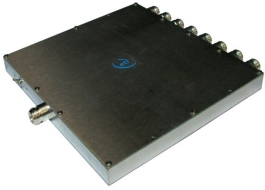




DIV08C1A-2377

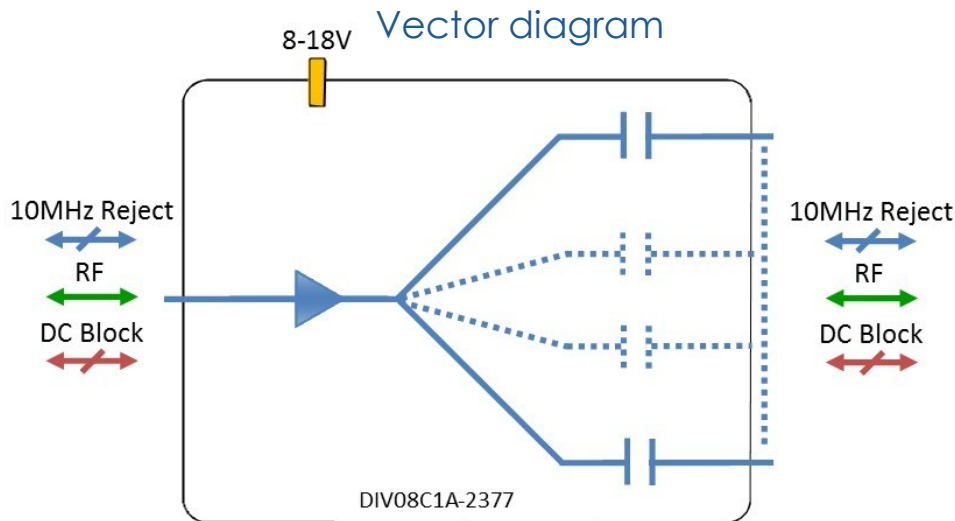
RF Engineering &
Custom Build

8-way C-band active splitter



DIV08C1A-2377 is an 8-way active C-band (3.4 to 4.2GHz) splitter with unity gain and DC & 10 MHz block on all ports. It requires 8-18V external DC bias.

This component is available with the following RF connector options: 50 Ω SMA and N-type.



RF Parameters

DIV08C1A-2377-xxxx	S5S5	N5N5
Frequency Range	3400-4200 MHz	3400-4200 MHz
RF Connectors	50 Ω SMA	50 Ω N-Type
Gain	0 \pm 1.5 dB	0 \pm 1.5 dB
Flatness	\pm 1.5 dB	\pm 1.5 dB
Input Return Loss	18 dB typ	18 dB typ
	12 dB min	12 dB min
Output Return Loss	18 dB typ	18 dB typ
	12 dB min	12 dB min
1 dB GCP*	0 dB typ	0 dB typ
	-4 dB min	-4 dB min
IP3	10	10
Noise Figure	10	10

*1dB Gain Compression Point (1dB GCP) is in relation to output power.

Isolation: Isolation between any 2 output ports is typically 25dB .

Isolation: Isolation (reverse gain) between the common port and any of the output ports is typically 35dB.

10 MHz rejection typ 25 dB

BROADCAST



MARINE OIL & GAS



SNG & VSAT



SATELLITE TELEPORT





8-way C-band active splitter

Environmental

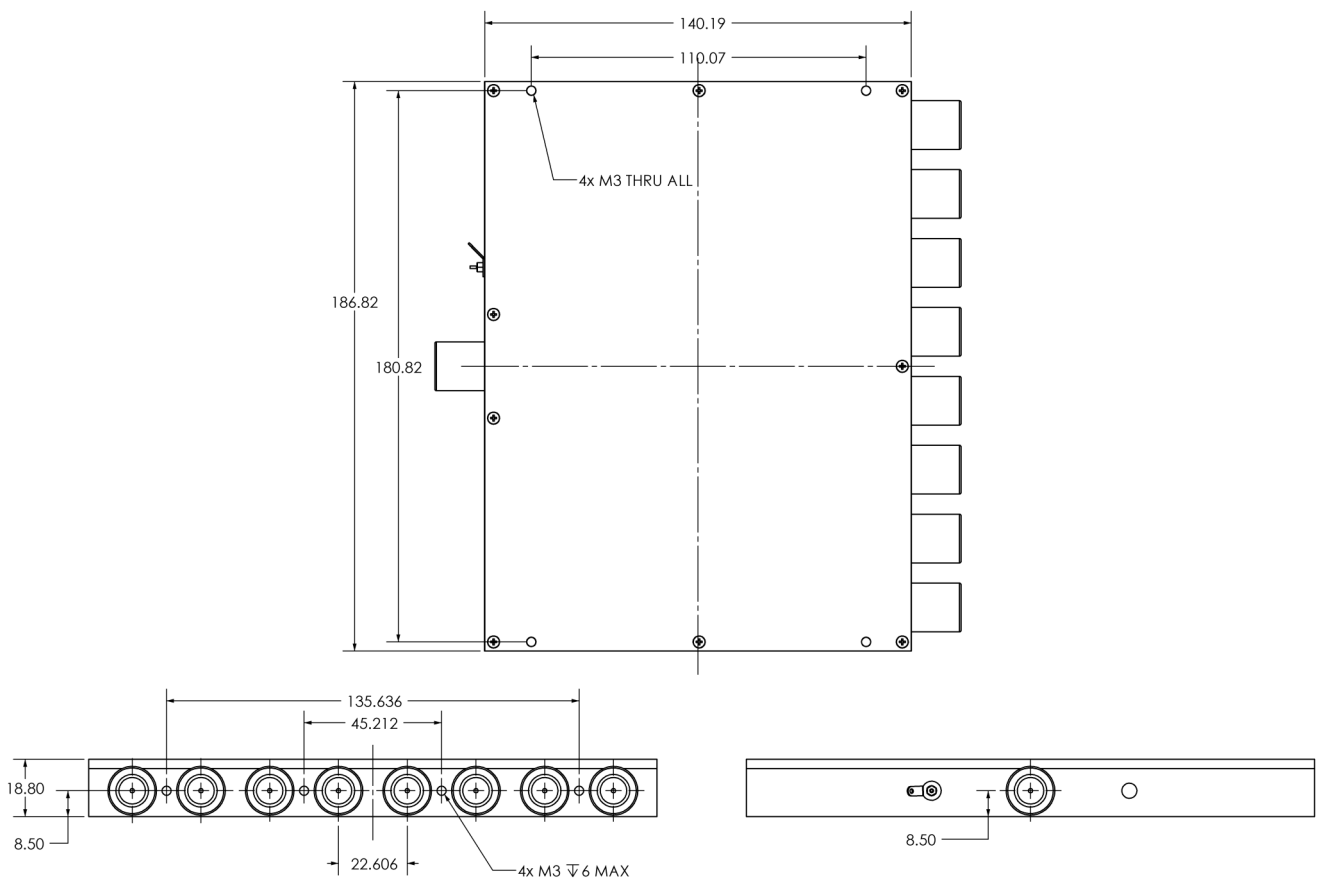
Operating Temperature	0°C to 45°C
Storage Temperature	-20°C to +75°C
Location	Indoor use Only
Humidity	85% non-condensing
Altitude	10,000 feet

Max Operating Parameters

Input RF Power	+16 dBm (40mW)
DC Voltage	35V on any RF port
DC Current	N/A
DC Consumption	100mA Max typical 80mA

! Operation beyond these limits may cause instantaneous and permanent damage.

Physical dimensions



ETL SYSTEMS LIMITED
Coldwell Radio
Station
Madley
Hereford
England HR2 9NE

TELEPHONE
+44 (0)1981 259020

EMAIL
info@etlsystems.com

FACSIMILE
+44 (0)1981 259021

WEB
www.etlsystems.com



V 1.2 E&OE



8-way C-band active splitter

Feature set for alternative 8-way Active C-band
splitters

Model Number	Frequency (MHZ)	Gain/Frequency response	10MHz/DC functionality	Other Features
DIV08C1A-2377	3400 - 4200	Unity gain	All RF ports are DC blocked	
DIV08C2A-2378	5800 - 6500	Unity gain	All RF ports are DC blocked	
DIV08C3A-2379	3400 - 6500	Unity gain	All RF ports are DC blocked	
DIV08C1A-2415	3400 - 4200	Unity gain	All RF ports are DC blocked	

* Custom designs available on request

