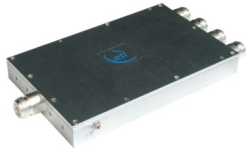




DIV04L1A-2385

RF Engineering &
Custom Build

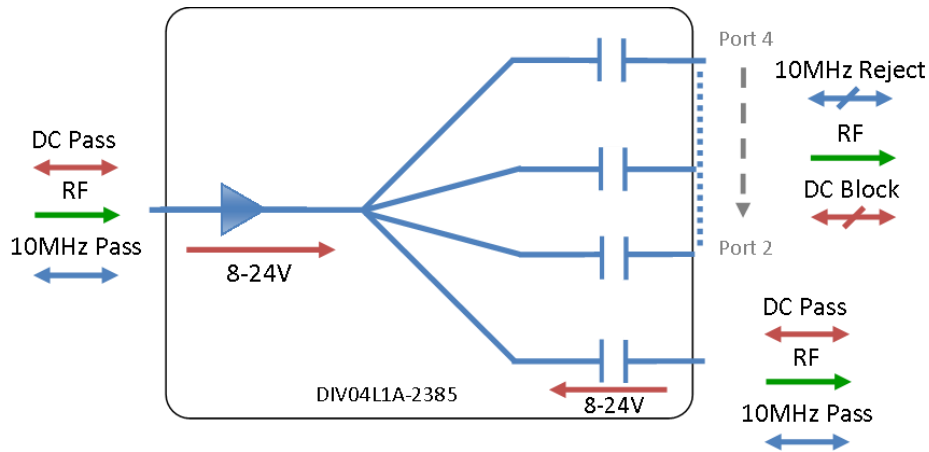
4-way L-band active splitter



DIV04L1A-2385 is a 4-way active L-band splitter unity gain, 8 to 24V DC injection on the common port or port-1 is required to power the unit. Common port to port-1 is DC linked with 10MHz pass. All other ports are DC & 10MHz blocked.

This component is available with the following RF connector options: 50 Ω SMA, N-type, BNC and 75 Ω BNC or F-type.

Vector diagram



RF Parameters

DIV04L1A-2385-xxxx	S5S5	N5N5	B5B5	B7B7	F7F7
Frequency Range	850-2150MHz	850-2150MHz	850-2150MHz	850-2150MHz	850-2150MHz
RF Connectors	50Ω SMA	50Ω N-Type	50Ω BNC	75Ω BNC	75Ω F-Type
Gain	1±2	1±2	1±2	1±2	1±1.2.5
Flatness	± 0.6 dB	± 0.6 dB	± 0.6 dB	± 1.0 dB	± 1.0 dB
Input Return Loss	16 dB typ	15 dB typ	15 dB typ	12 dB typ	12 dB typ
	12dB min	12dB min	10dB min	8 dB min	8dB min
Output Return Loss	18 dB typ	18 dB typ	15 dB typ	12 dB typ	12 dB typ
	12dB min	12dB min	10dB min	8 dB min	8dB min
1 dB GCP*	5dBm typ	5dBm typ	5dBm typ	5dBm typ	5dBm typ
	2dBm min	2dBm min	2dBm min	2dBm min	2dBm min
IP3	15	15	15	15	15
Noise Figure	8dB	8dB	8dB	8dB	8dB

1dB Gain Compression Point (1dB GCP) is in relation to output power.

Isolation: Isolation between any 2 output ports is typically 16dB .

Isolation: Isolation (reverse gain) between the common port and any of the output ports is typically 35dB.

10MHz Insertion loss is 0 ± 3dB

BROADCAST



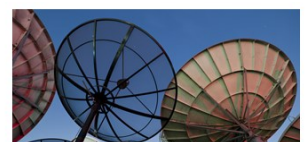
MARINE OIL & GAS



SNG & VSAT



SATELLITE TELEPORT





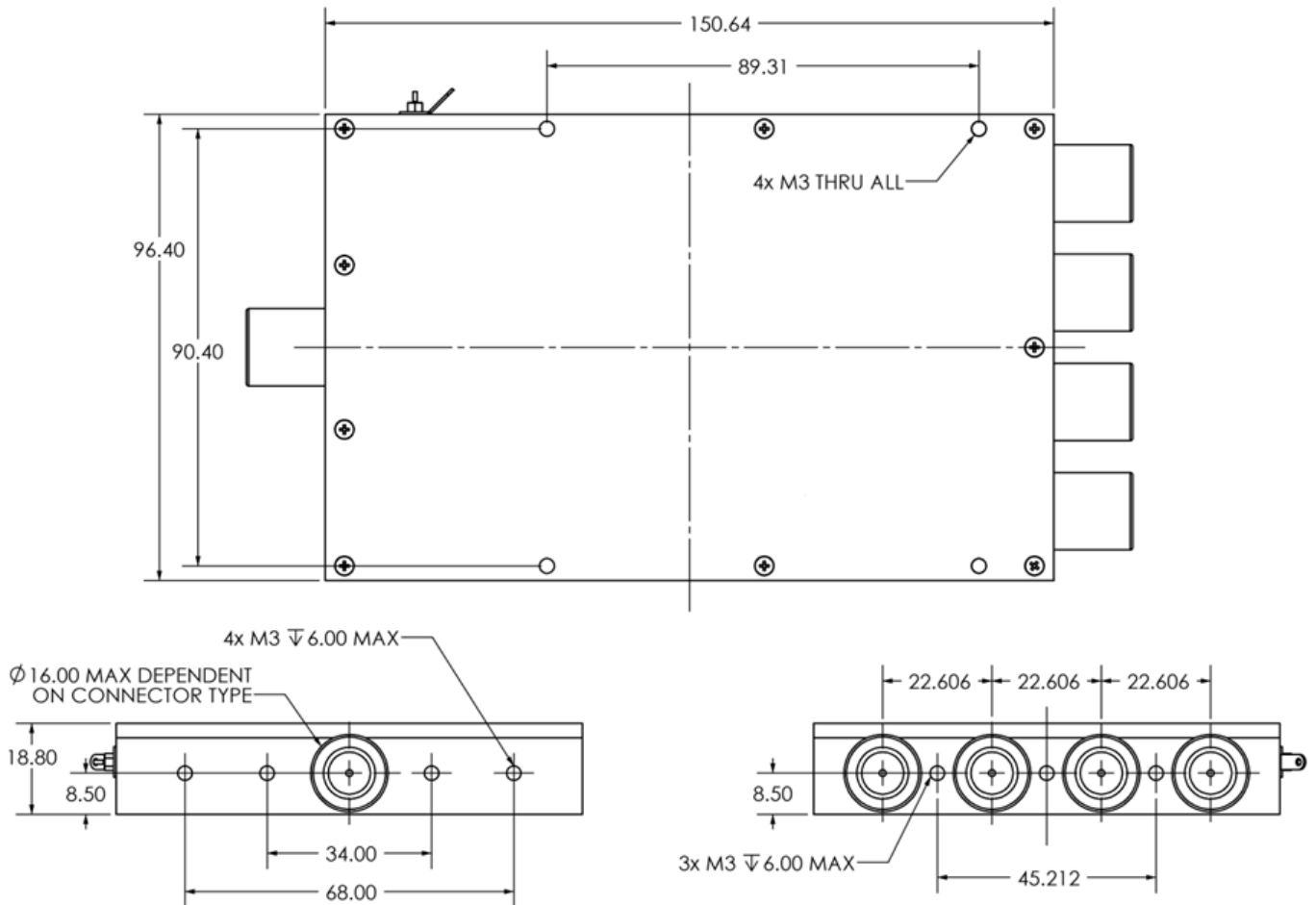
4-way L-band active splitter

Environmental	
Operating Temperature	0°C to 45°C
Storage Temperature	-20°C to +75°C
Location	Indoor use Only
Humidity	85% non-condensing
Altitude	10,000 feet

Max Operating Parameters	
Input RF Power	+16 dBm (40mW)
DC Voltage	35V on any RF port
DC Current	500mA
DC Consumption	100mA Max, 80mA typical

! Operation beyond these limits may cause instantaneous and permanent damage.

Physical dimensions



ETL SYSTEMS LIMITED
Coldwell Radio
Station
Madley
Hereford
England HR2 9NE

TELEPHONE
+44 (0)1981 259020

EMAIL
info@etlsystems.com

FACSIMILE
+44 (0)1981 259021

WEB
www.etlsystems.com



V 1.1 E&OE



4-way L-band active splitter

Feature set for alternative 4-way Active L-band splitters

Model Number	Frequency (MHZ)	Gain/Frequency response	10MHz/DC functionality
DIV04L1A-2304	850 - 2150	6dB Gain / Flat response	All RF ports are DC blocked
DIV04L1A-2322	850 - 2150	Unity Gain / Flat response	All RF ports are DC blocked
DIV04L1A-2325	850 - 2150	Unity Gain	All RF ports are DC blocked
DIV04L1A-2331	850 - 2150	Unity Gain	All RF ports are DC blocked
DIV04L1A-2341	850 - 2150	Unity Gain / Flat response	All RF ports are 10MHz pass & DC blocked
DIV04L1A-2343	850 - 2150	Unity Gain / Flat response	All RF ports are DC blocked
DIV04L1A-2346	850 - 2150	Unity Gain / Flat response	Outer two RF ports DC blocked
DIV04L1A-2351	850 - 2150	Unity Gain / Flat response	Outer two RF ports only are 10MHz pass and all ports are DC blocked
DIV04L1A-2370	850 - 2150	Unity Gain	10MHz & DC pass from common to port 1 all others 10MHz & DC blocked
DIV04L1A-2383	850 - 2150	Unity Gain / Flat response	All RF ports are 10MHz blocked & DC pass. DC is blocked between output ports
DIV04L1A-2384	850 - 2150	Unity Gain	Common port to port 1 is DC pass all other ports are DC blocked
DIV04L1A-2385	850 - 2150	Unity Gain	10MHz & DC pass from common to port 1 all others 10MHz & DC blocked
DIV04B2A-2406	50 - 2150		All RF ports are 10MHz pass & DC blocked
DIV04L1A-2393	850 - 2150	Unity Gain	DC inject on common port, all other ports are DC blocked
DIV04L1A-2400	850 - 2150	Unity Gain	All RF ports are 10MHz pass & DC blocked
DIV04L1A-2429	850 - 2150	Unity Gain	All RF ports are 10MHz pass & DC blocked
DIV04L1A-2430	850 - 2150	Unity Gain	DC pass & 10MHz block from common to port 1 only all others 10MHz & DC blocked

* Custom designs available on request

