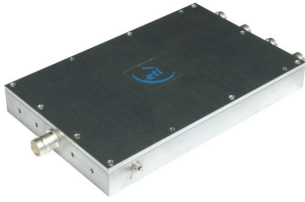




DIV04L1A-2325

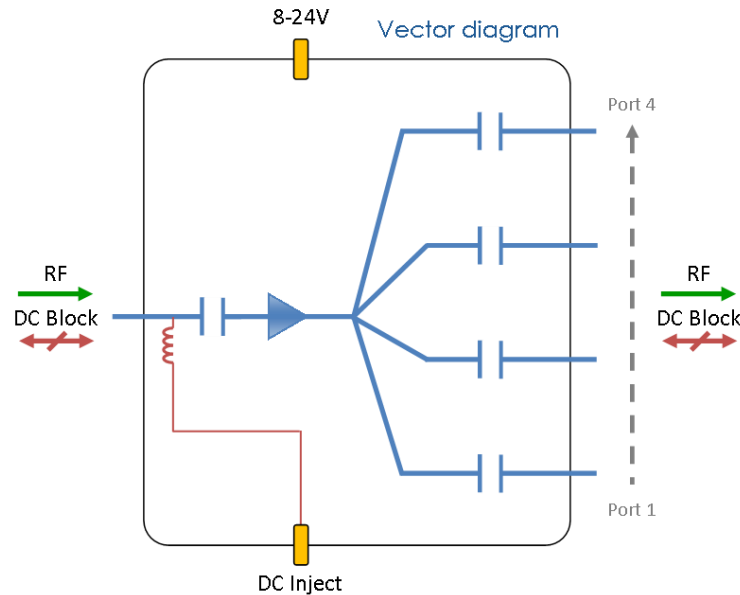
RF Engineering & Custom Build

4-way L-band Active splitter



The DIV04L1A-2325 is a 4-way L-Band (850-2150MHz) Active Splitter with unity gain, flat frequency response, and DC Inject to the Common Port. All other ports are DC blocked. The unit requires 8-24V external DC Bias.

This component is available with the following RF connector options: 50 Ω SMA, N-type, BNC and 75 Ω BNC or F-type.



RF Parameters

| DIV04L1A-2325 | | S5S5 | N5N5 | B5B5 | B7B7 | F7F7 |
|-----------------------|-----|----------|------------|----------|----------|------------|
| Frequency Range (MHz) | | 850-2150 | 850-2150 | 850-2150 | 850-2150 | 850-2150 |
| RF Connectors | | 50Ω SMA | 50Ω N-Type | 50Ω BNC | 75Ω BNC | 75Ω F-Type |
| 1 dB GCP* (dBm) | Typ | 5 | 5 | 5 | 5 | 5 |
| | Min | 3 | 3 | 3 | 3 | 3 |
| Noise figure (dB) | Typ | 10 | 10 | 10 | 10 | 10 |
| | Max | 12 | 12 | 12 | 12 | 12 |
| Gain (dB) | | 0 ± 1.5 | 0 ± 1.5 | 0 ± 1.5 | 0 ± 2.5 | 0 ± 2.5 |
| Return Loss (dB) | Typ | 16 | 16 | 14 | 12 | 10 |
| | Min | 12 | 13 | 10 | 9 | 7 |

*1dB Gain Compression Point (1dB GCP) is in relation to output power.

Maximum current consumption is 100mA, typically 80mA.

Isolation: Isolation between any 2 output ports is typically 25dB .

Isolation: Isolation (reverse gain) between the common port and any of the output ports is typically 35dB.

BROADCAST



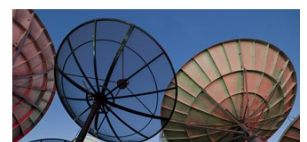
MARINE OIL & GAS



SNG & VSAT



SATELLITE TELEPORT





4-way L-band Active splitter

Environmental

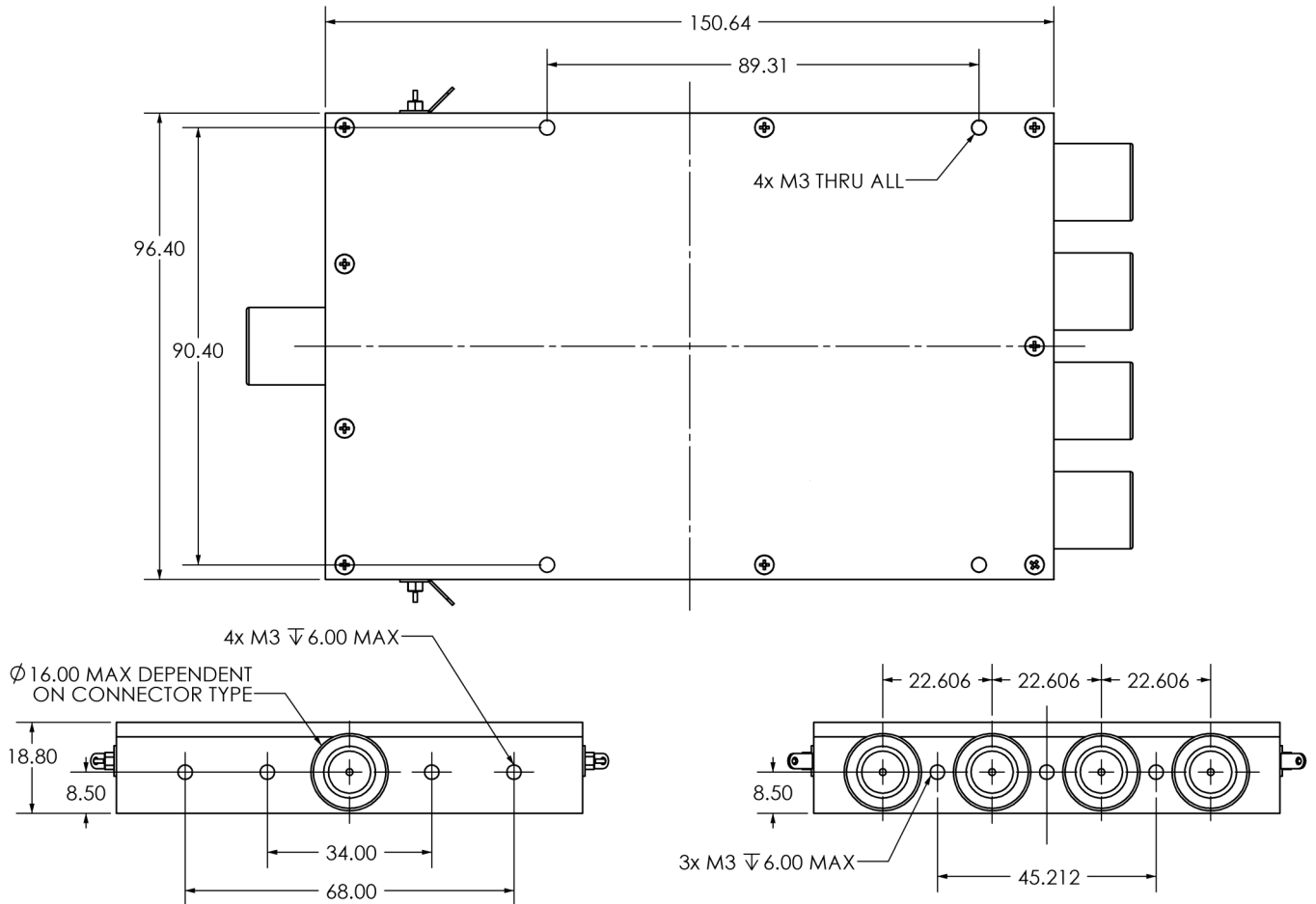
| | |
|-----------------------|--------------------|
| Operating Temperature | 0°C to 45°C |
| Storage Temperature | -20°C to +75°C |
| Location | Indoor use Only |
| Humidity | 85% non-condensing |
| Altitude | 10,000 feet |

Max Operating Parameters

| | |
|----------------|--------------------|
| Input RF Power | +16 dBm |
| DC Voltage | 30V on any RF port |
| DC Current LNB | 500 mA |

! Operation beyond these limits may cause instantaneous and permanent damage.

Physical dimensions



ETL SYSTEMS LIMITED
Coldwell Radio
Station
Madley
Hereford
England HR2 9NE

TELEPHONE
+44 (0)1981 259020

EMAIL
info@etlsystems.com

FACSIMILE
+44 (0)1981 259021

WEB
www.etlsystems.com



V 1.1 E&OE



4-way L-band Active splitter

Feature set for alternative 4-way Active L-band splitters

| Model Number | Frequency (MHZ) | Gain/Frequency response | 10MHz/DC functionality | Other Features |
|---------------|-----------------|----------------------------|--|--------------------|
| DIV04L1A-2304 | 850 - 2150 | 6dB Gain / Flat response | All RF ports are DC blocked | |
| DIV04L1A-2322 | 850 - 2150 | Unity Gain / Flat response | All RF ports are DC blocked | |
| DIV04L1A-2325 | 850 - 2150 | Unity Gain | All RF ports are DC blocked | DC injection |
| DIV04L1A-2331 | 850 - 2150 | Unity Gain | All RF ports are DC blocked | |
| DIV04L1A-2341 | 850 - 2150 | Unity Gain / Flat response | All RF ports are 10MHz pass & DC blocked | |
| DIV04L1A-2343 | 850 - 2150 | Unity Gain / Flat response | All RF ports are DC blocked | |
| DIV04L1A-2346 | 850 - 2150 | Unity Gain / Flat response | Outer two RF ports DC blocked | Built in regulator |
| DIV04L1A-2351 | 850 - 2150 | Unity Gain / Flat response | Outer two RF ports only are 10MHz pass and all ports are DC blocked | Built in regulator |
| DIV04L1A-2370 | 850 - 2150 | Unity Gain | 10MHz & DC pass from common to port 1 all others 10MHz & DC blocked | |
| DIV04L1A-2383 | 850 - 2150 | Unity Gain / Flat response | All RF ports are 10MHz blocked & DC pass. DC is blocked between output ports | |
| DIV04L1A-2384 | 850 - 2150 | Unity Gain | Common port to port 1 is DC pass all other ports are DC blocked | |
| DIV04L1A-2385 | 850 - 2150 | Unity Gain | 10MHz & DC pass from common to port 1 all others 10MHz & DC blocked | |
| DIV04B2A-2406 | 50 - 2150 | | All RF ports are 10MHz pass & DC blocked | Integral regulator |
| DIV04L1A-2393 | 850 - 2150 | Unity Gain | DC inject on common port, all other ports are DC blocked | |
| DIV04L1A-2400 | 850 - 2150 | Unity Gain | All RF ports are 10MHz pass & DC blocked | |
| DIV04L1A-2429 | 850 - 2150 | Unity Gain | All RF ports are 10MHz pass & DC blocked | |
| DIV04L1A-2430 | 850 - 2150 | Unity Gain | DC pass & 10MHz block from common to port 1 only all others 10MHz & DC blocked | |

* Custom designs available on request

ETL SYSTEMS LIMITED
Coldwell Radio
Station
Madley
Hereford
England HR2 9NE

TELEPHONE
+44 (0)1981 259020

EMAIL
info@etlsystems.com

FACSIMILE
+44 (0)1981 259021

WEB
www.etlsystems.com



V 1.1 E&OE