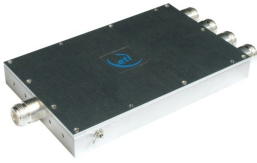




DIV04F5A-2426

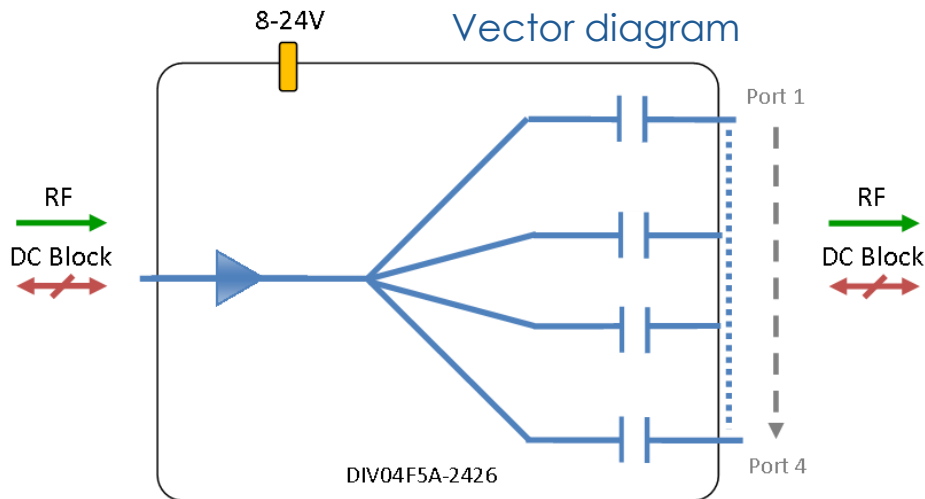
RF Engineering &
Custom Build

4-way IF-band active splitter



DIV04F5A-2426 is a 4-way active IF splitter with unity gain and flat frequency response. DC is blocked on all ports. It requires 8-24V External DC bias.

This component is available with the following RF connector options: 50 Ω SMA, N-type, BNC and 75 Ω BNC or F-type.



RF Parameters

DIV04F5A-2426-xxxx	S5S5	N5N5	B5B5	B7B7	F7F7
Frequency Range	10-200MHz	10-200MHz	10-200MHz	10-200MHz	10-200MHz
RF Connectors	50Ω SMA	50Ω N-Type	50Ω BNC	75Ω BNC	75Ω F-Type
Gain	0±1 dB	0±1 dB	0±1.25 dB	0±1.5 dB	0±1.6 dB
Flatness	±0.5	±0.5	±0.7	±1.0	±1.0
Input Return Loss	25dB typ	25dB typ	24dB typ	12dB typ	12dB typ
	18dB min	18dB min	15dB min	8dB min	8dB min
Output Return Loss	23dB typ	23dB typ	21dB typ	12dB typ	12dB typ
	18dB min	18dB min	15dB min	8dB min	8dB min
1 dB GCP*	2dBm typ	2dBm typ	2dBm typ	2dBm typ	2dBm typ
	0dBm min	0dBm min	0dBm min	0dBm min	0dBm min
IP3	11dB	11dB	11dB	11dB	11dB
Noise Figure	9dB	9dB	9dB	9dB	9dB

1dB Gain Compression Point (1dB GCP) is in relation to output power.

Isolation: Isolation between any 2 output ports is typically 16dB .

Isolation: Isolation (reverse gain) between the common port and any of the output ports is typically 35dB.

10MHz Insertion loss is 0 ± 3dB

BROADCAST



MARINE OIL & GAS



SNG & VSAT



SATELLITE TELEPORT





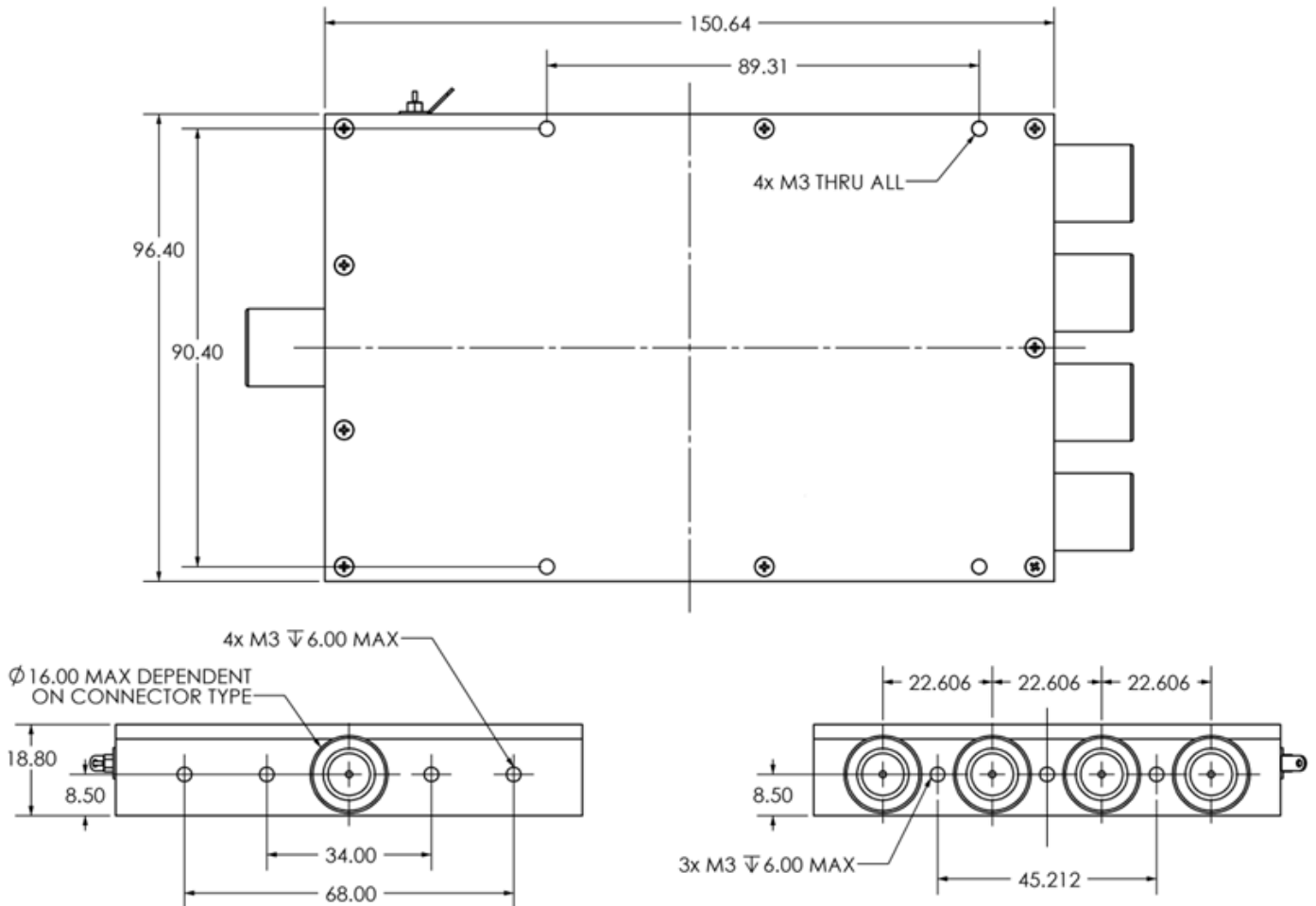
4-way IF-band active splitter

Environmental	
Operating Temperature	0°C to 45°C
Storage Temperature	-20°C to +75°C
Location	Indoor use Only
Humidity	85% non-condensing
Altitude	10,000 feet

Max Operating Parameters	
Input RF Power	+21 dBm (126mW)
DC Voltage	35V on any RF port
DC Current	N/A
DC Consumption	100mA Max, 80mA typical

! Operation beyond these limits may cause instantaneous and permanent damage.

Physical dimensions



ETL SYSTEMS LIMITED
Coldwell Radio
Station
Madley
Hereford
England HR2 9NE

TELEPHONE
+44 (0)1981 259020

EMAIL
info@etlsystems.com

FACSIMILE
+44 (0)1981 259021

WEB
www.etlsystems.com



V 1.1 E&OE



4-way IF-band active splitter

Feature set for alternative 4-way Active IF-band splitters

Model Number	Frequency (MHZ)	Gain/Frequency response	10MHz/DC functionality
DIV04F1A-2405	50 - 2800		All RF ports are 10MHz pass & DC blocked
DIV04F5A-2426	10 - 200	Unity Gain	All RF ports are DC blocked

* Custom designs available on request

