

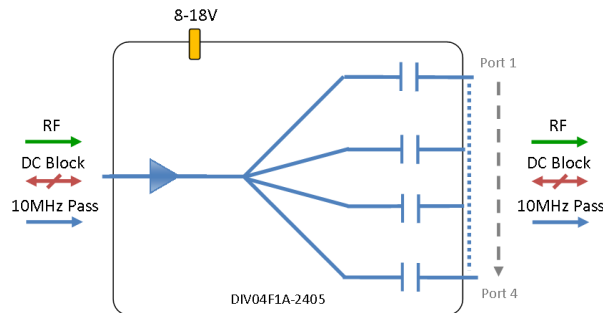


Model Number:
DIV04F1A-2405

RF Components

4-Way Broadband Active Splitter

50 - 3150 MHz



- All ports 10MHz pass & DC blocked.
- Integral regulator
- Requires 8-18V external DC bias

Available with RF connector options:

- 50 Ω SMA
- 50 Ω N-type
- 50 Ω BNC

8-18V
External DC
powering

Compact
Housed in
rugged compact
enclosure

**Flexible
Mounting**
Tapped screw &
through hole
mounting options

50-3150 MHz
Operating frequency
range.



RF Parameters						
DIV04F1A-2405-XXXX	S5S5	N5N5	B5B5	S5S5	N5N5	B5B5
Frequency Range	50-2800 MHz			2800-3150 MHz		
RF Connectors	50Ω SMA	50Ω N-Type	50Ω BNC	50Ω SMA	50Ω N-Type	50Ω BNC
Mean Gain (dB)	0±1.0	0±1.0	0±1.0	0±1.5	0±1.5	0±1.5
Flatness ± (dB)	1.0	1.0	1.2	1.2	1.2	1.4
Input Return Loss (dB)	Typ.	16	16	14	14	12
	Min	12	12	10	10	8
Output Return Loss (dB)	Typ.	22	22	19	18	16
	Min	17	17	15	14	12
Output P1dB GCP** (dBm)	Typ.	5	5	5	2	2
	Min	2	2	2	0	0
Isolation (dB)	Typ.	16	16	16	16	16
Output IP3 (dBm)	Typ.	14	14	14	10	10
Noise Figure (dB)	Typ.	16	16	16	16	16
Amplitude Balance (± dB)		≤ 0.4	≤ 0.4	≤ 0.5	≤ 0.6	≤ 0.8
Phase Balance (Φ)		≤ 5°	≤ 5°	≤ 5°	≤ 5°	≤ 5°

10MHz Rejection is 20dB*
*To ports which are applicable
**GCP (Gain Compression Point)

Broadcast



Marine Oil & Gas



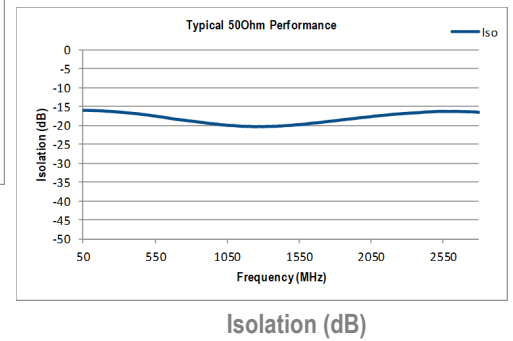
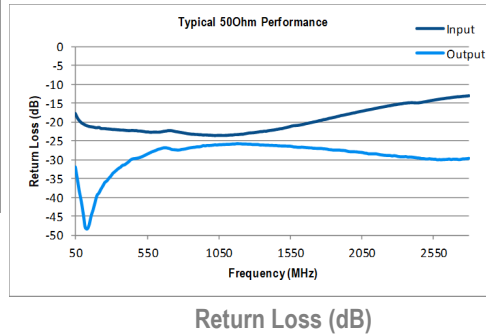
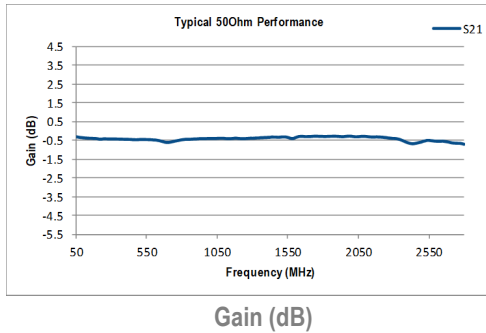
SNG & VSAT



Satellite Teleport



Technical specifications and operating parameters

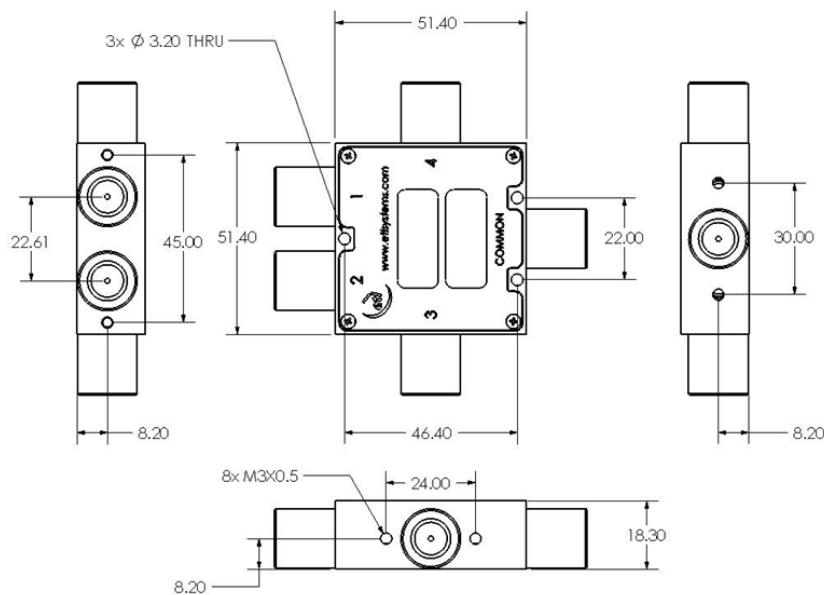


Environmental		
Operating Temperature		0°C to +45°C
Storage Temperature		-20°C to +75°C
Location		Indoor use Only
Humidity	Max	85% non-condensing
Altitude	Max	10,000 feet

Max Operating Parameters		
Input RF Power		+21 dBm (125mW)
DC Voltage		35V on any RF port
DC Current	Max	500mA
DC Consumption		100mA Max, 80mA typical

! Operation beyond these limits may cause instantaneous and permanent damage.

Physical Dimensions (mm)



Note: The specification is subject to regular reviews and will be updated from time to time as part of our continuing product development and improved specification accuracy.