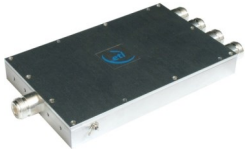




DIV04C3A-2382

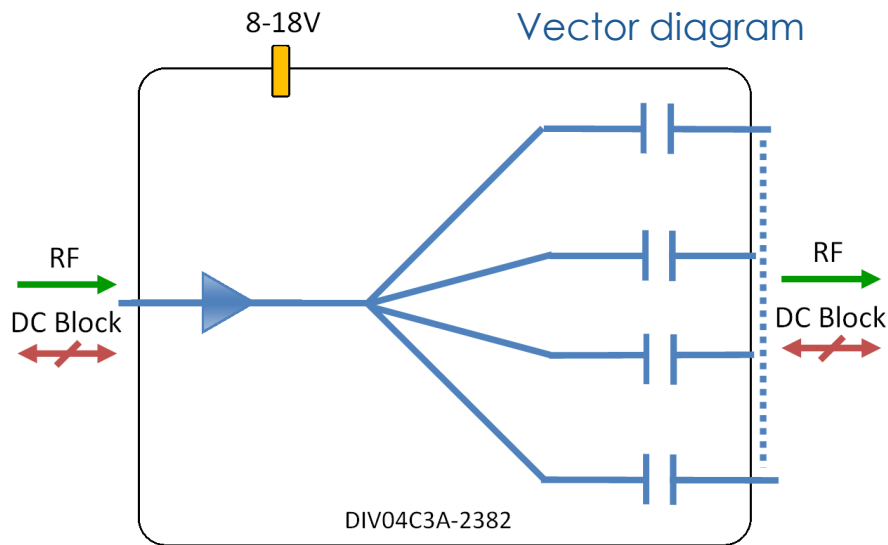
RF Engineering &
Custom Build

4-way C-band active splitter



DIV04C3A-2382 is a 4-way active C-band (3.4 to 6.5GHz) splitter with unity gain and DC block on all ports. It requires 8-18V external DC bias.

This component is available with the following RF connector options: 50 Ω SMA and N-type.



RF Parameters

DIV04C3A-2382-xxxx	S5S5	N5N5
Frequency Range	3400-6500 MHz	3400-6500 MHz
RF Connectors	50 Ω SMA	50 Ω N-Type
Gain	0 \pm 0.80 dB	0 \pm 0.80 dB
Flatness	\pm 2.2 dB	\pm 2.2 dB
Input Return Loss	22 dB typ	22 dB typ
	10 dB min	10 dB min
Output Return Loss	20 dB typ	20 dB typ
	10 dB min	10 dB min
1 dB GCP*	8 dBm typ	8 dBm typ
	5 dBm min	5 dBm min
IP3	16	16
Noise Figure	9	9

*1dB Gain Compression Point (1dB GCP) is in relation to output power.

Isolation: Isolation between any 2 output ports is typically 25dB .

Isolation: Isolation (reverse gain) between the common port and any of the output ports is typically 35dB.

BROADCAST



MARINE OIL & GAS



SNG & VSAT



SATELLITE TELEPORT





4-way C-band active splitter

Environmental

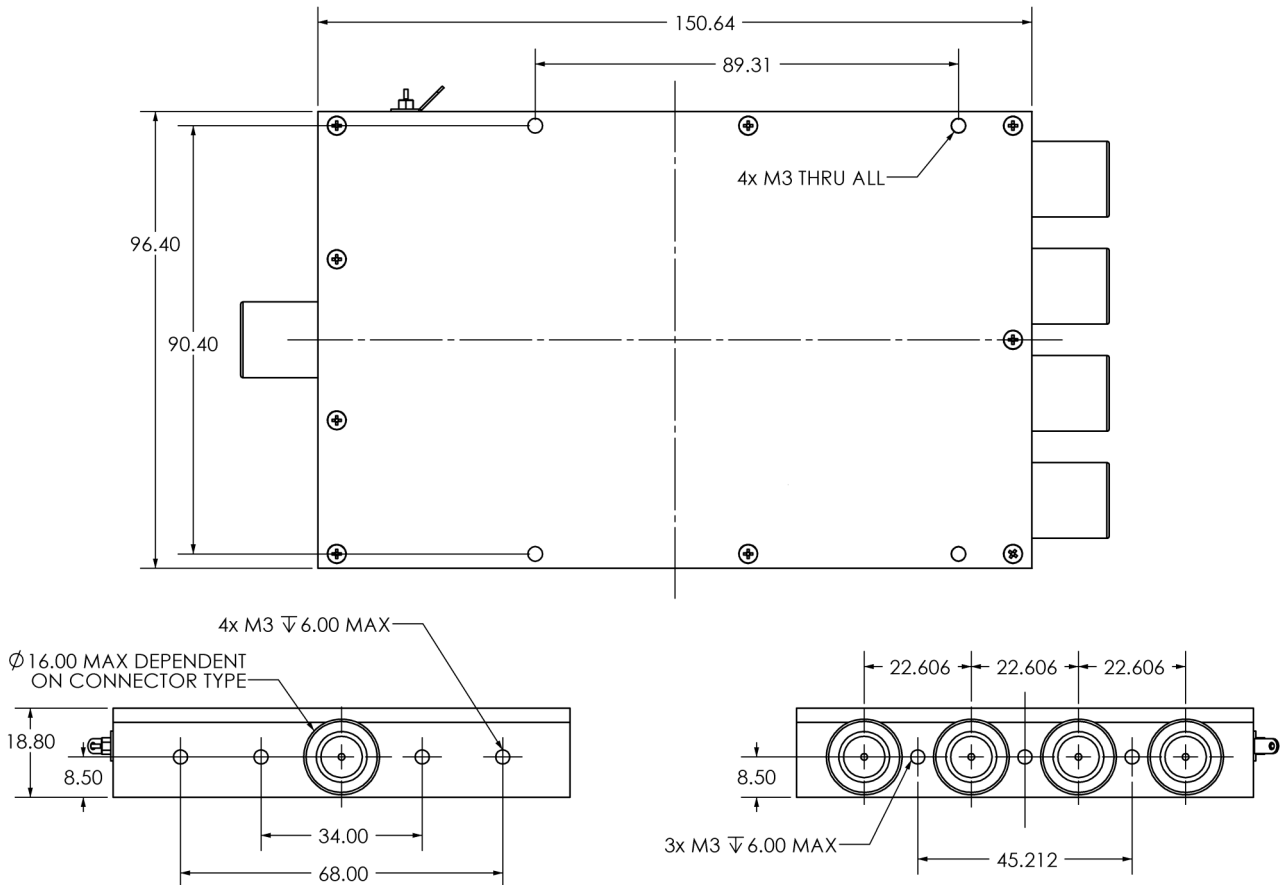
Operating Temperature	0°C to 45°C
Storage Temperature	-20°C to +75°C
Location	Indoor use Only
Humidity	85% non-condensing
Altitude	10,000 feet

Max Operating Parameters

Input RF Power	+16 dBm (40mW)
DC Voltage	35V on any RF port
DC Current	N/A
DC Consumption	100mA Max, 80mA typical

! Operation beyond these limits may cause instantaneous and permanent damage.

Physical dimensions





4-way C-band active splitter

Feature set for alternative 4-way Active C-band
splitters

Model Number	Frequency (MHZ)	Gain/Frequency response	10MHz/DC functionality	Other Features
DIV04C1A-2355	3400 - 4200	18dB Gain / Flat response	All RF ports are DC blocked	
DIV04C1A-2360	3400 - 4200	15dB Gain / Flat response	All RF ports are DC blocked	Integral regulator
DIV04C1A-2380	3400 - 4200	Unity Gain	All RF ports are DC blocked	
DIV04C2A-2381	5800 - 6500	Unity Gain	All RF ports are DC blocked	
DIV04C3A-2381	3400 - 6500	Unity Gain	All RF ports are DC blocked	

* Custom designs available on request

