



RF Components

2-Way L-Band Active Splitter

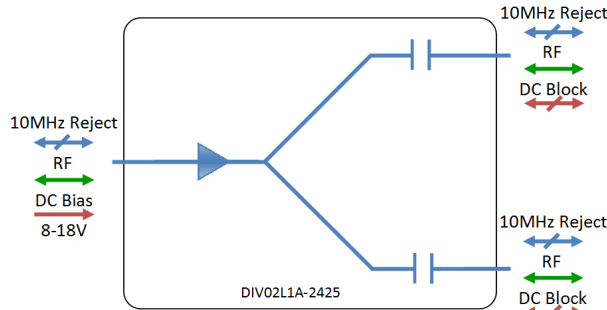
850 - 2150 MHz

Model Number:
DIV02L1A-2425

- 3dB positive slope
- 5dB gain
- 10MHz & DC blocked
- Requires 8-18V in-line bias on common port

Available with RF connector options:

- 50 Ω SMA
- 50 Ω N-type
- 50 Ω BNC
- 75 Ω BNC
- 75 Ω F-type



Compact

Housed in rugged compact enclosure

Flexible Mounting

Tapped screw & through hole mounting options



850-2150 MHz
Operating frequency range.



		RF Parameters				
DIV02L1A-2425-XXXX		S5S5	N5N5	B5B5	B7B7	F7F7
Frequency Range		850 - 2150 MHz				
RF Connectors		50Ω SMA	50Ω N-Type	50Ω BNC	75Ω BNC	75Ω F-Type
Mean Gain (dB)		5 ±0.50	5 ±0.50	5 ±0.60	5 ±0.75	5 ±0.75
Slope (dB)		3 ± 0.6	3 ± 0.6	3 ± 0.6	3 ± 0.7	3 ± 1.0
Input Return Loss (dB)	Typ.	22	22	18	15	12
	Min	14	14	12	8	8
Output Return Loss (dB)	Typ.	20	20	18	15	15
	Min	12	12	12	8	8
Output P1dB GCP* (dBm)	Typ.	8	8	8	8	8
	Min	5	5	5	5	5
Isolation (dB)	Typ.	16	16	16	16	16
Output IP3 (dBm)	Typ.	18	18	18	18	18
Noise Figure (dB)	Typ.	12	12	12	12	12
Amplitude Balance (dB)		≤0.5	≤0.5	≤0.5	≤0.5	≤0.5
Phase Balance (Φ)		≤5°	≤5°	≤5°	≤5°	≤5°

*GCP (Gain Compression Point)

Broadcast



Marine Oil & Gas



SNG & VSAT



Satellite Teleport





RF Components

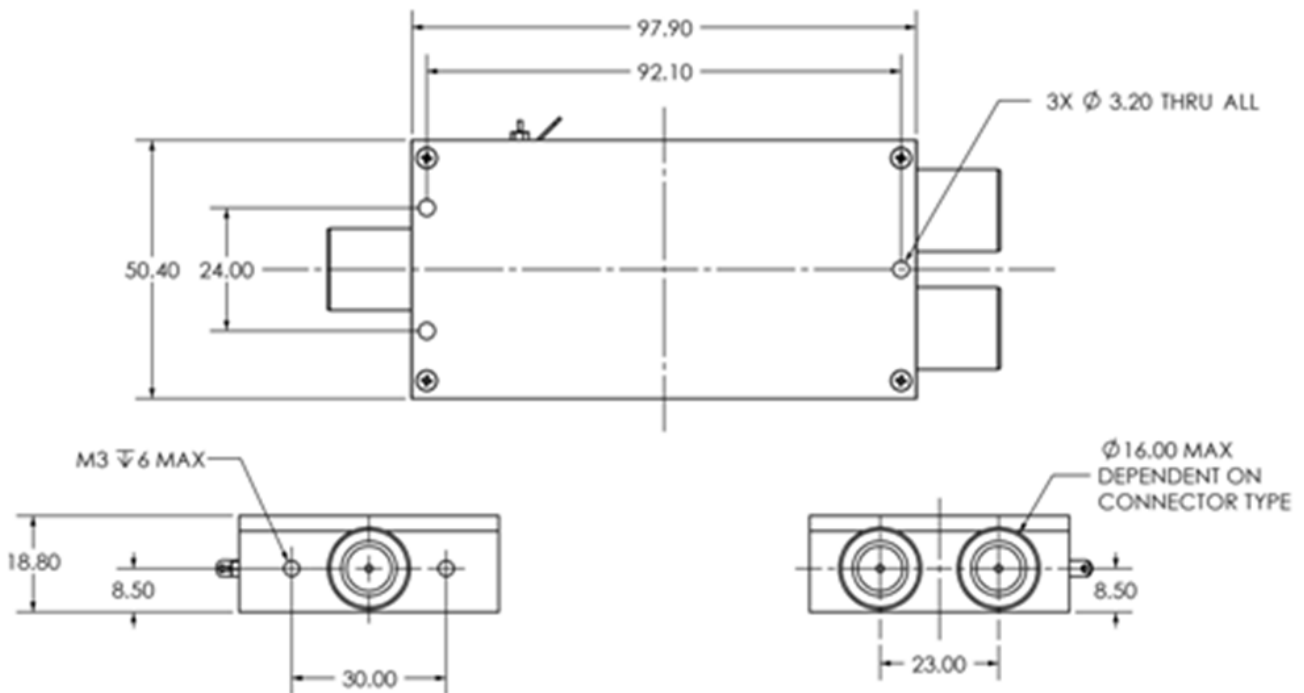
Model Number:
DIV02L1A-2425
2-Way L-Band Active Splitter

Environmental		
Operating Temperature		0°C to +45°C
Storage Temperature		-20°C to +75°C
Location		Indoor use Only
Humidity	Max	85% non-condensing
Altitude	Max	10,000 feet

Max Operating Parameters	
Input RF Power	+16 dBm (40mW)
DC Voltage	35V on any RF port
DC Consumption	100mA Max typical 80mA

! Operation beyond these limits may cause instantaneous and permanent damage.

Physical Dimensions (mm)



Note: The specification is subject to regular reviews and will be updated from time to time as part of our continuing product development and improved specification accuracy.

ETL SYSTEMS LIMITED
Coldwell Radio Station
Madley
Hereford
England HR2 9NE

TELEPHONE
+44 (0)1981 259020

EMAIL
info@etlsystems.com

FACSIMILE
+44 (0)1981 259021

WEB
www.etlsystems.com

