



# DIV02L1A-2372

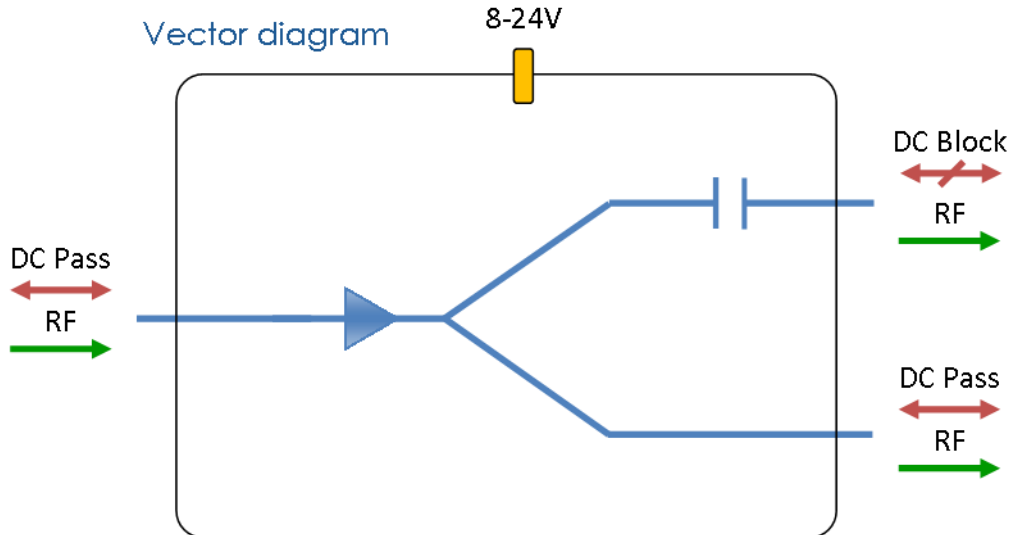
RF Engineering &  
Custom Build

## 2-way L-band Active splitter



DIV02L1A-2372 is a 2-way active L-band splitter with 10dB gain, flat frequency response and DC pass on one port only. It requires 8-24V external DC bias.

This component is available with the following RF connector options: 50Ω SMA, N-type, BNC and 75Ω BNC or F-type.



### RF Parameters

DIV02L1A-2372		S5S5	N5N5	B5B5	B7B7	F7F7
Frequency Range (MHz)		850-2150	850-2150	850-2150	850-2150	850-2150
RF Connectors		50Ω SMA	50Ω N-Type	50Ω BNC	75Ω BNC	75Ω F-Type
1 dB GCP* (dBm)	Typ	5	5	5	5	5
	Min	3	3	3	3	3
Noise figure (dB)	Typ	8	8	8	8	8
	Max	11	11	11	11	11
Gain (dB)		10 ± 2	10 ± 2	10 ± 2	10 ± 2	10 ± 2
Return Loss (dB)	Typ	16	16	14	12	10
	Min	12	12	10	9	7

\*1dB Gain Compression Point (1dB GCP) is in relation to output power.

Maximum current consumption is 100mA, typically 80mA.

Isolation: Isolation between any 2 output ports is typically 20dB

Isolation: Isolation (reverse gain) between the common port and any of the output ports is typically 35dB.

#### BROADCAST



#### MARINE OIL & GAS



#### SNG & VSAT



#### SATELLITE TELEPORT





## 2-way L-band Active splitter

### Environmental

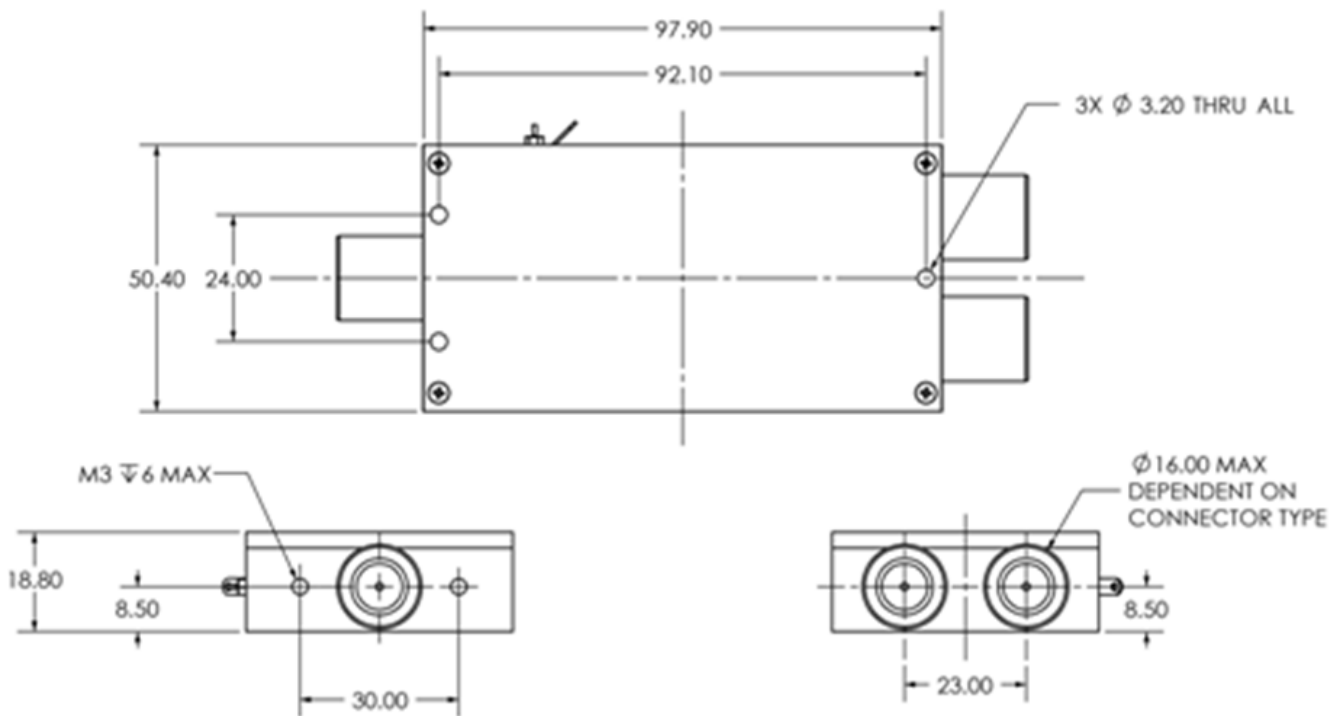
Operating Temperature	0°C to 50°C
Storage Temperature	-20°C to +80°C
Location	Indoor use Only
Humidity	80% non-condensing
Altitude	10,000 feet

### Max Operating Parameters

Input RF Power	+16 dBm
DC Voltage	24V on any RF port
DC Current	3A on any RF port

! Operation beyond these limits may cause instantaneous and permanent damage.

### Physical dimensions





## 2-way L-band Active splitter

## Alternative 2-way Active Splitters

Model Number	Gain / Frequency Response	Other Features
DIV02L1A-2301	5dB Gain / 3dB +ve slope	Integrated Regulator
DIV02L1A-2302	12dB Gain / Flat Response	Integrated Regulator
DIV02S2A-2309	5dB Gain / 3dB +ve slope	S-band, 850MHz to 2500MHz
DIV02S2A-2312	10dB Gain / Flat Response	S-band, 850MHz to 2500MHz
DIV02B1A-2310	10dB Gain / Flat Response	IF to L-band (50 to 2150MHz)
DIV02L1A-2340	3dB Gain / Flat Response	LNB Bias, DC block on ALL ports
DIV02L1A-2369	6dB Gain / Flat Response	One port DC & 10MHz PASS, one port DC & 10MHz block
DIV02L1A-2372	10dB Gain / Flat Response	One port DC PASS
DIV02L1A-2374	4-6dB Gain / Flat Response	One port DC PASS
DIV02L1A-2387	5dB Gain / Flat Response	In-line bias. One port DC PASS & 10MHz PASS.
DIV02F1A-2401	Unity gain / Flat Response	Extended frequency range: 50 to 2800MHz & 10MHz pass
DIV02B2A-2402	Unity gain / Flat Response	Extended frequency range: 50 to 2150MHz & 10MHz pass

