




Model Number:
CPL03S1P-436014

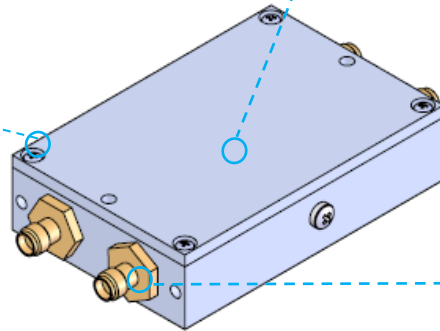
RF Components

S-Band 3dB Hybrid Coupler

690-2700 MHz

 **690-2700 MHz**
Operating frequency range.

Compact
Housed in rugged compact enclosure



Key Product Features

- 3 dB coupling
- Low Insertion Loss
- High Isolation
- 90° phase difference on the two output ports when used as a splitter

Available with RF connector options:

- 50 Ω SMA , N-Type & BNC

Flexible Mounting
Through hole mounting options

Coupler

Technical specifications and operating parameters

RF Parameters	
CPL03S1P-436014	50 Ω
Frequency Range	690-2700 MHz
RF Connectors	50 Ω SMA , N-Type & BNC
Coupling Factor (dB)	3
Insertion Loss	1.5 dB max
Return Loss	16 dB Typ. 13 dB Min
Amplitude Balance	±0.5 dB Typ.
Phase Accuracy	±5° Typ.
Isolation	20 dB Min.

Configuration				
	Pin 1	Pin 2	Pin 3	Pin 4
Splitter	Input	Isolated	-3 dB / _0-90	-3 dB / _0
Splitter	Isolated	Input	-3 dB / _0	-3 dB / _0-90
Splitter	-3 dB / _0-90	-3 dB / _0	Input	Isolated
Splitter	-3 dB / _0	-3 dB / _0-90	Isolated	Input
Combiner	A / _0-90	A / _0	Isolated	Output
Combiner	A / _0	A / _0-90	Output	Isolated
Combiner	Isolated	Output	A / _0-90	A / _0
Combiner	Output	Isolated	A / _0	A / _0-90

Max Operating Parameters	
Power	Avg. CW 50 Watts

Environmental	
Operating Temperature	-55° C to +95° C

! Operation beyond these limits may cause instantaneous and permanent damage.

Broadcast



Marine Oil & Gas



SNG & VSAT



Satellite Teleport

