

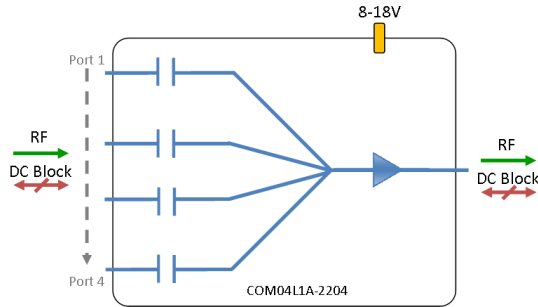


Model Number:
COM04L1A-2204

RF Components

4-Way L-Band Active Combiner

850 - 2150 MHz



- 0dB gain
- 15dBm 1dB GCP
- All ports DC blocked
- Requires 8-18V external DC bias

Available with RF connector options:

- 50 Ω SMA
- 50 Ω N-type
- 50 Ω BNC
- 75 Ω BNC
- 75 Ω F-type

8-18V
External DC
powering

Compact
Housed in
rugged compact
enclosure

**Flexible
Mounting**
Tapped screw &
through hole
mounting options

850-2150 MHz
Operating frequency
range.



RF Parameters					
COM04L1A-2204-XXXX	S5S5	N5N5	B5B5	B7B7	F7F7
Frequency Range	850 - 2150 MHz				
RF Connectors	50Ω SMA	50Ω N-Type	50Ω BNC	75Ω BNC	75Ω F-Type
Mean Gain (dB)	0±1.5	0±1.5	0±1.8	0±2.0	0±2.0
Flatness ± (dB)	0.6	0.6	0.8	1.0	1.0
Input Return Loss (dB)	Typ.	18	18	18	12
	Min	15	15	14	8
Output Return Loss (dB)	Typ.	16	16	15	12
	Min	14	14	12	8
Output P1dB GCP** (dBm)	Typ.	15	15	15	15
	Min	12	12	12	12
Isolation (dB)	Typ.	20	20	20	20
Output IP3(dBm)	Typ.	23	23	23	23
Noise Figure (dB)	Typ.	16	16	16	16
Amplitude Balance (dB)		≤0.5	≤0.5	≤0.5	≤0.5
Phase Balance (Φ)		≤5°	≤5°	≤5°	≤5°
10MHz Rejection is 20dB* *To ports which are applicable **GCP (Gain Compression Point)					

Broadcast



Marine Oil & Gas



SNG & VSAT



Satellite Teleport

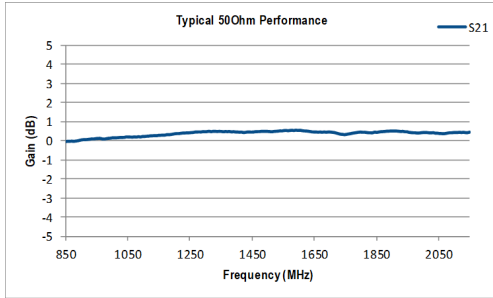




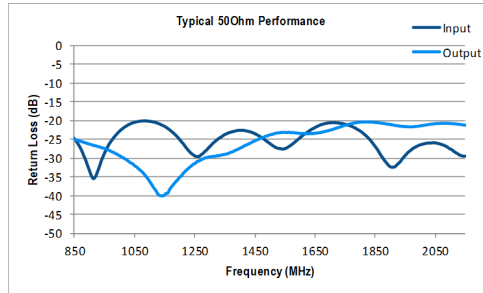
RF Components

Model Number:
COM04L1A-2204
4-Way L-Band Active Combiner

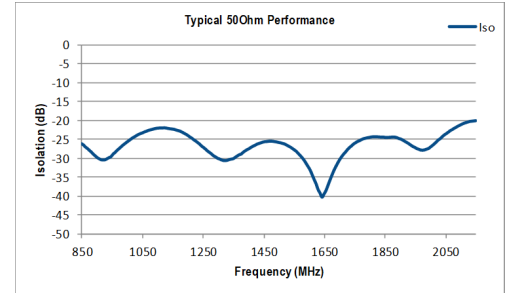
Technical specifications and operating parameters



Gain (dB)



Return Loss (dB)



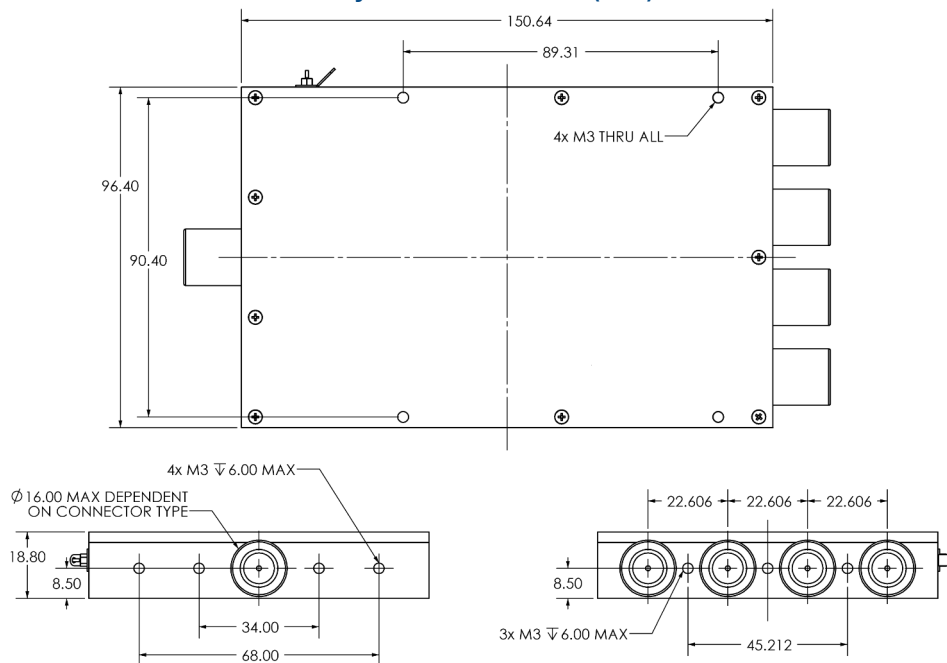
Isolation (dB)

Environmental	
Operating Temperature	0°C to +45°C
Storage Temperature	-20°C to +75°C
Location	Indoor use Only
Humidity	Max 85% non-condensing
Altitude	Max 10,000 feet

Max Operating Parameters	
Input RF Power	+24 dBm (250mW)
DC Voltage	35V on any RF port
DC Consumption	100mA Max, 80mA typical

! Operation beyond these limits may cause instantaneous and permanent damage.

Physical Dimensions (mm)



Note: The specification is subject to regular reviews and will be updated from time to time as part of our continuing product development and improved specification accuracy.

ETL SYSTEMS LIMITED
Coldwell Radio Station
Madley
Hereford
England HR2 9NE

TELEPHONE
+44 (0)1981 259020

EMAIL
info@etlsystems.com

FACSIMILE
+44 (0)1981 259021

WEB
www.etlsystems.com

