

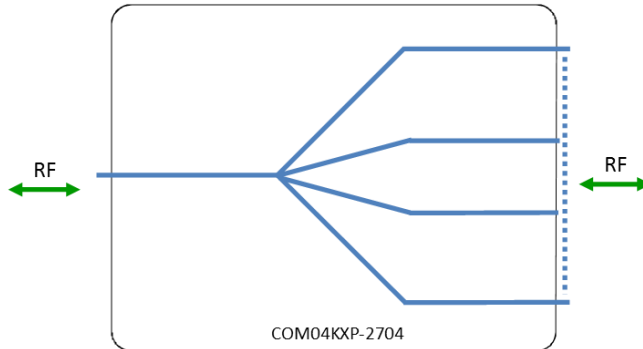


Model Number:
COM04KXP-2704

RF Components

4-Way Wideband Passive Splitter/Combiner

2-18 GHz



Available with RF connector options:

- 50 Ω SMA
- 50 Ω N-Type



2-18 GHz
Operating frequency range.



Compact
Housed in rugged compact enclosure

Passive

RF Parameters		
COM04KXP-2704-XXXX	S5S5	N5N5
Frequency Range	2-18 GHz	
RF Connectors	50Ω SMA	50Ω N-Type
Mean Insertion Loss (dB)	1.1 ± 0.7	2.0 ± 0.2
Input Return Loss (dB)	Typ.	20
	Min	12
Output Return Loss (dB)	Typ.	20
	Min	12
Isolation (dB)	Typ.	22
	Min	17
Amplitude Balance (dB)	≤ ± 0.4	≤ ± 0.4
Phase Balance (Φ)	≤ ± 6°	≤ ± 6°
The given Insertion Loss specified is the loss above the theoretical limit for a lossless divider		

Broadcast



Marine Oil & Gas



SNG & VSAT



Satellite Teleport



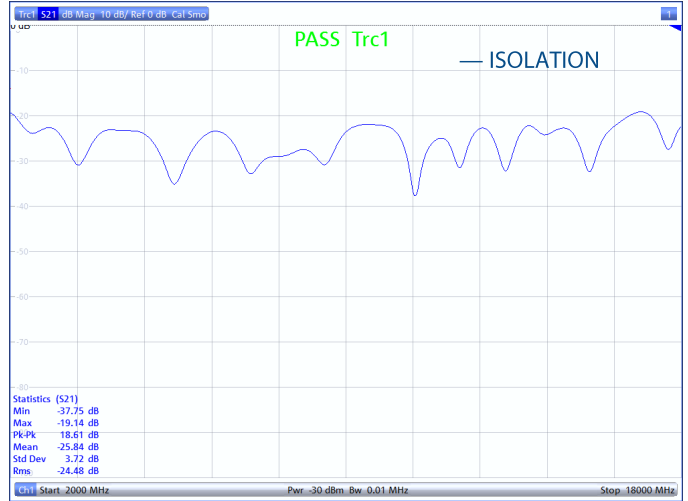
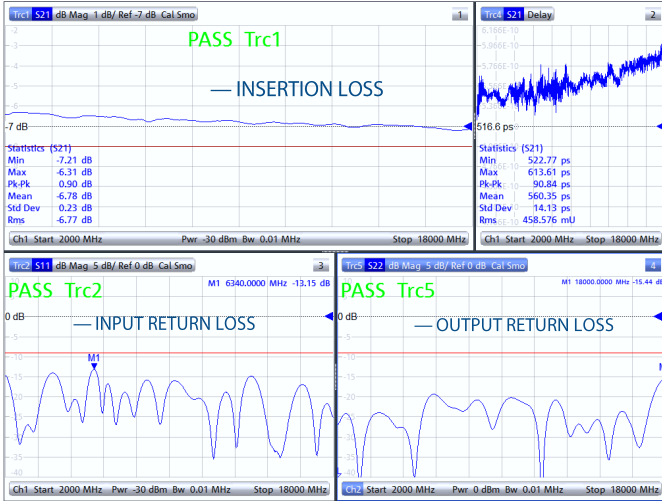


RF Components

Model Number:
COM04KXP-2704

4-Way Wideband Passive Splitter/Combiner

Technical specifications and operating parameters



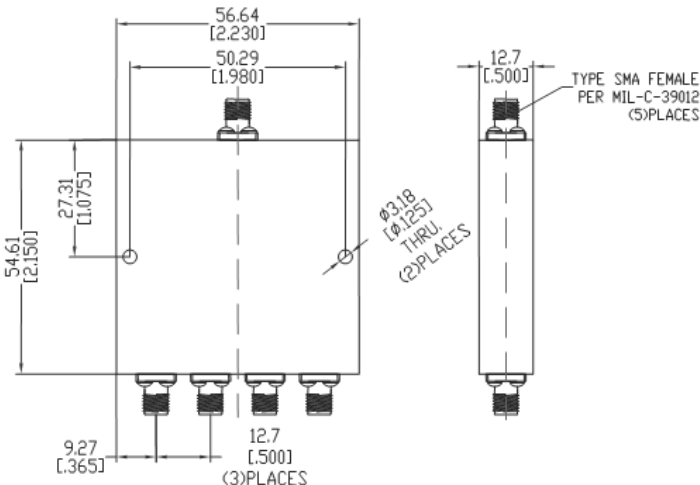
Environmental		
Operating Temperature		-40°C to +85°C
Storage Temperature		-40°C to +85°C
Location		Indoor use Only
Humidity	Max	85% non-condensing
Altitude	Max	10,000 feet

Max Operating Parameters	
Input RF Power	30W as Splitter 1W as Combiner
DC Voltage	N/A
DC Current	N/A

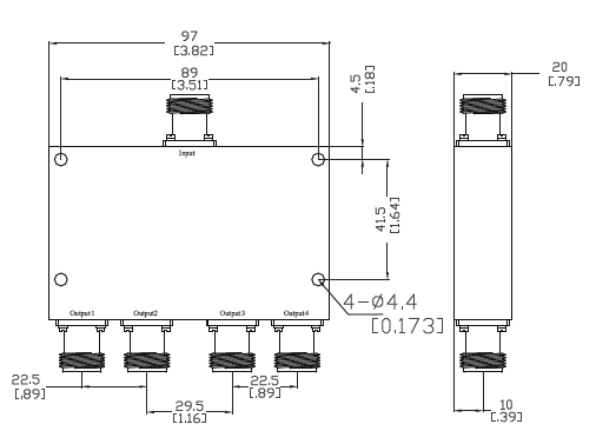
! Operation beyond these limits may cause instantaneous and permanent damage.

Physical Dimensions (mm)

50Ω SMA



50Ω N-Type



Note: The specification is subject to regular reviews and will be updated from time to time as part of our continuing product development and improved specification accuracy.

ETL SYSTEMS LIMITED
Coldwell Radio Station
Madley
Hereford
England HR2 9NE

TELEPHONE
+44 (0)1981 259020

EMAIL
info@etlsystems.com

FACSIMILE
+44 (0)1981 259021

WEB
www.etlsystems.com

