

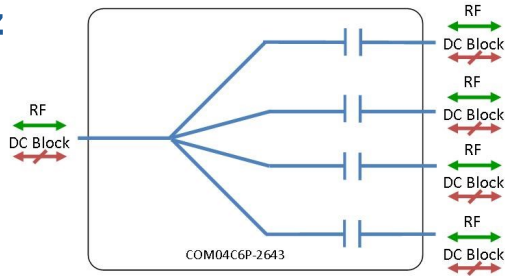


RF Components

Model Number:
COM04C6P-2643

4-Way C-Band Passive Splitter/Combiner

5800 - 6650 MHz



- All ports DC blocked
- Available with RF connector options:
- 50 Ω SMA
 - 50 Ω N-type

5800 - 6650 MHz
Operating frequency range. C-Band ready



Compact
Housed in rugged compact enclosure

Flexible Mounting
Tapped screw & through hole mounting options

Passive

RF Parameters		
COM04C6P-2643-XXXX	S5S5	N5N5
Frequency Range	5800 - 6650 MHz	
RF Connectors	50Ω SMA	50Ω N-Type
Insertion Loss (dB)	Typ.	1.5
	Max	2.2
Flatness ± (dB)	1.5	1.5
Input Return Loss (dB)	Typ.	15
	Min	10
Output Return Loss (dB)	Typ.	18
	Min	10
Isolation (dB)	Typ.	20
Amplitude Balance (dB)	≤0.5	≤0.5
Phase Balance (Φ)	≤2°	≤2°

The given Insertion Loss specified is the loss above the theoretical limit for a lossless divider

Broadcast



Marine Oil & Gas



SNG & VSAT



Satellite Teleport



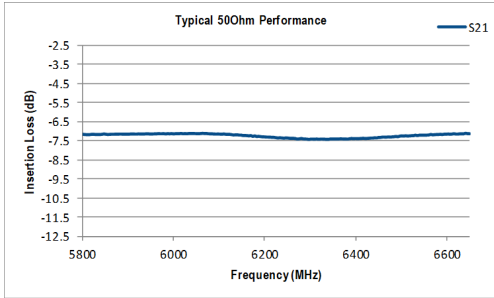


RF Components

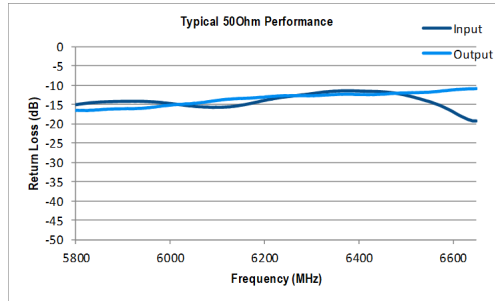
Model Number:
COM04C6P-2643

4-Way C-Band Passive Splitter/Combiner

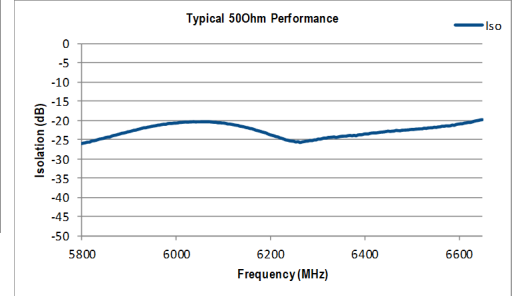
Technical specifications and operating parameters



Insertion Loss (dB)



Return Loss (dB)



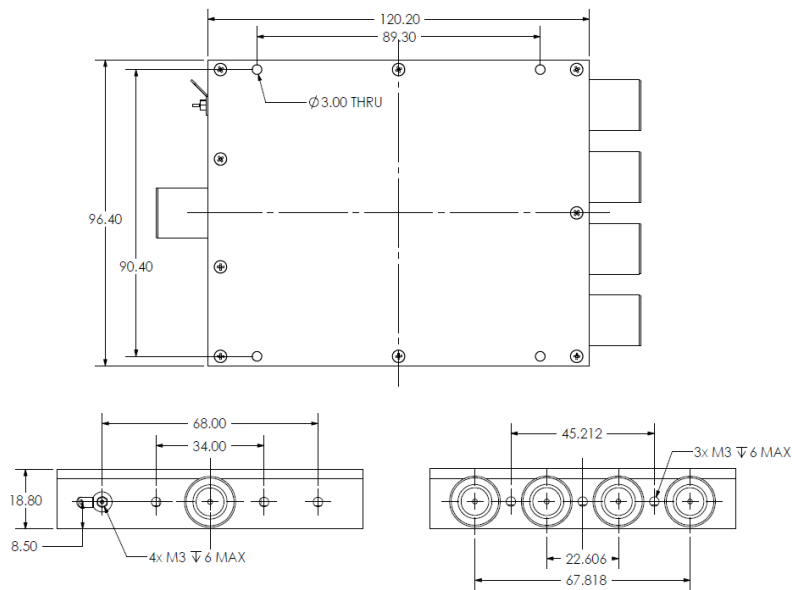
Isolation (dB)

Environmental		
Operating Temperature		0°C to +45°C
Storage Temperature		-20°C to +75°C
Location		Indoor use Only
Humidity	Max.	85% non-condensing
Altitude	Max.	10,000 feet

Max Operating Parameters	
Input RF Power	5W as splitter 2W as combiner
DC Voltage	30V on any RF port
DC Current	N/A

! Operation beyond these limits may cause instantaneous and permanent damage.

Physical Dimensions (mm)



Note: The specification is subject to regular reviews and will be updated from time to time as part of our continuing product development and improved specification accuracy.

ETL SYSTEMS LIMITED
Coldwell Radio Station
Madley
Hereford
England HR2 9NE

TELEPHONE
+44 (0)1981 259020

EMAIL
info@etlsystems.com

FACSIMILE
+44 (0)1981 259021

WEB
www.etlsystems.com

