

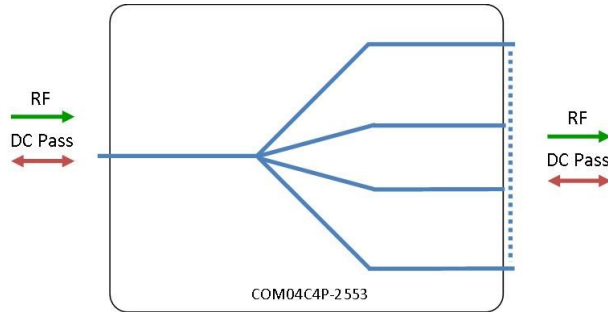


RF Components

4-Way Passive C-Band Splitter/Combiner

2.0 - 4.2 GHz

Model Number:
COM04C4P-2553



- DC Pass on all ports

Available with RF connector options:

- 50 Ω SMA
- 50 Ω N-type



2.0 to 4.2 GHz
operating frequency range. C-Band ready



Compact
Housed in rugged compact enclosure



Flexible Mounting
Tapped screw & through hole mounting options

RF Parameters			
COM04C4P-2553-XXXX	S5S5	N5N5	
Frequency Range	2.0 to 4.2 GHz		
RF Connectors	50Ω SMA	50Ω N-Type	
Insertion Loss (dB)	Typ.	1.2	1.6
	Max	2.0	2.5
Input Return Loss (dB)	Typ.	15	10
	Min	10	8
Output Return Loss (dB)	Typ.	15	10
	Min	10	8
Isolation (dB)	Typ.	20	20
Amplitude Balance (dB)	≤0.15	≤0.15	
Phase Balance (Φ)	≤3°	≤3°	
The given Insertion Loss specified is the loss above the theoretical limit for a lossless divider			

Broadcast



Marine Oil & Gas



SNG & VSAT



Satellite Teleport



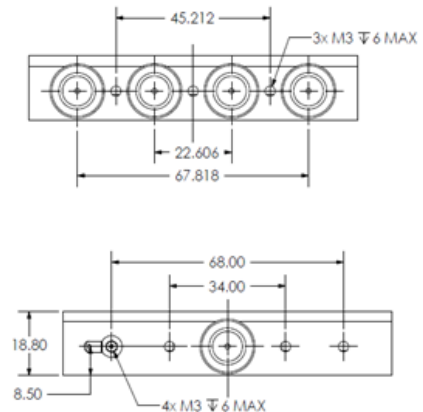
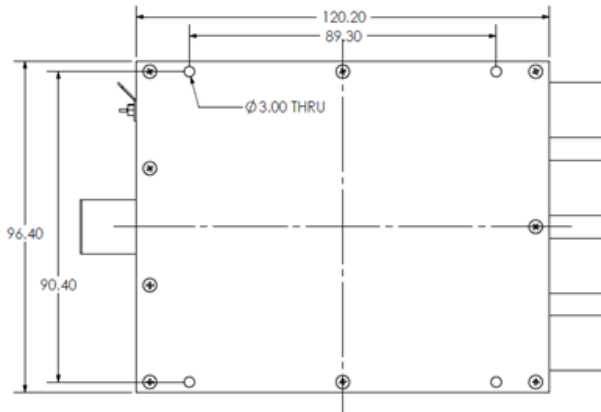
Technical specifications and operating parameters

Environmental		
Operating Temperature		0°C to +45°C
Storage Temperature		-20°C to +75°C
Location		Indoor use Only
Humidity	Max.	85% non-condensing
Altitude	Max.	10,000 feet

Max Operating Parameters	
Input RF Power	+37 dBm (5W)
DC Voltage	24V on any RF port
DC Current	500mA

! Operation beyond these limits may cause instantaneous and permanent damage.

Physical Dimensions (mm)



Note: The specification is subject to regular reviews and will be updated from time to time as part of our continuing product development and improved specification accuracy.