



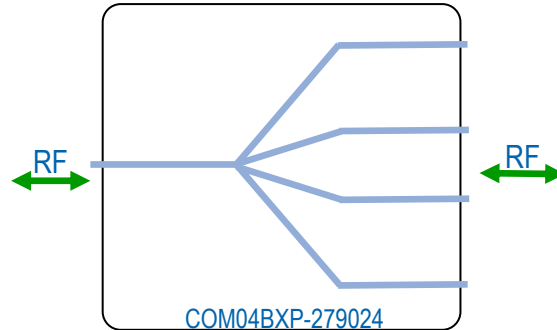
RF Components

4-Way Broadband Passive Splitter/Combiner

DC - 3 GHz

Model Number:
COM04BXP-279024

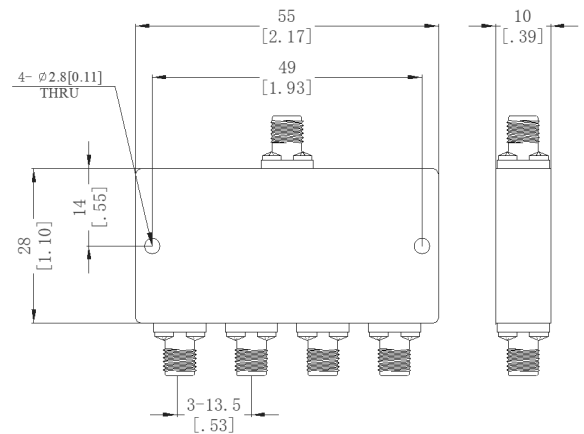
Available with RF connector options:
• 50Ω SMA Female



Passive

RF Parameters	
COM04BXP-279024	S5S5
Frequency Range	DC - 3 GHz
RF Connectors	50Ω SMA Female
Insertion Loss	12dB max.
VSWR	1.30:1 Input & Output
Phase Balance	±6°
Isolation	6dB min.
Amplitude Balance	±0.6dB
Environmental	
Storage Temperature	-45 to +70°C
Operating Temperature	-40°C to +85°C
Location	Indoor
Operating Parameters	
Power Handling	≤2W as Splitter ≤0.5W as Combiner

Physical Dimensions (± 0.3mm)



! Operation beyond these limits may cause instantaneous and permanent damage.

Broadcast



Marine Oil & Gas



SNG & VSAT



Satellite Teleport

