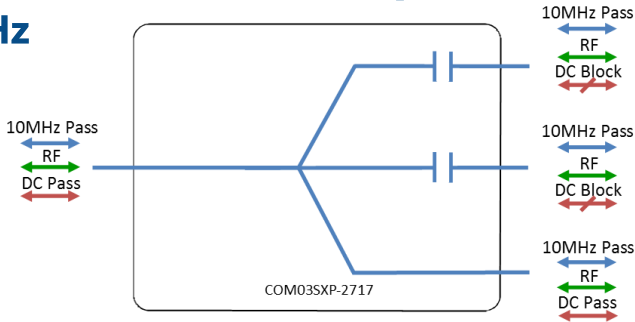




Model Number:
COM03SXP-2717

RF Components

3-Way ODU Passive S-Band Splitter/Combiner 700 - 2700 MHz



- IP 67 weatherproof suitable for outdoor use
- Port 1 10MHz & DC Pass
- All other ports 10MHz pass & DC blocked

Available with RF connector options:

- 50 Ω SMA
- 50 Ω N-type



700-2700 MHz
Operating frequency range. S-Band ready



Compact Housed in rugged compact enclosure IP 67 rated for outdoor use

Passive

RF Parameters		
COM03SXP-2717-XXXX	S5S5	N5N5
Frequency Range	700 - 2700 MHz	
RF Connectors	50Ω SMA	50Ω N-Type
Mean Insertion Loss (dB)	0.4±0.3	0.4±0.3
Flatness ± (dB)	0.35	0.35
Input Return Loss (dB)	Typ.	16
	Min	12
Output Return Loss (dB)	Typ.	18
	Min	14
Isolation (dB)	Typ.	18
Amplitude Balance (dB)	≤0.2	≤0.2
Phase Balance (Φ)	≤3°	≤3°

The given Insertion Loss specified is the loss above the theoretical limit for a lossless divider
 10MHz Insertion Loss is up to 3dB above the theoretical loss*
 10MHz Rejection is 20dB*
 *To ports which are applicable

Broadcast



Marine Oil & Gas



SNG & VSAT



Satellite Teleport





RF Components

Model Number:
COM03SXP-2717

3-Way ODU Passive S-Band Splitter/Combiner

Technical specifications and operating parameters

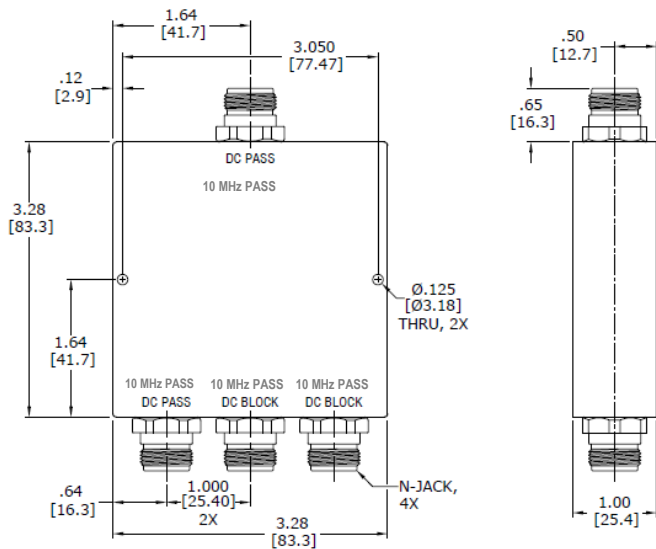
Environmental		
Operating Temperature		-65°C to +85°C
Storage Temperature		-65°C to +85°C
Location		Indoor or Outdoor Use
Altitude	Max	10,000 feet

Max Operating Parameters	
Input RF Power	40W (46dBm)
DC Voltage	50V
DC Current	N/A
DC Consumption	N/A

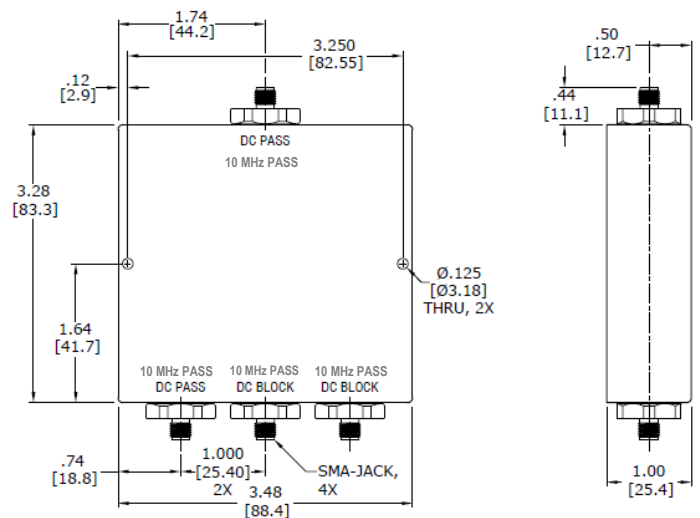
! Operation beyond these limits may cause instantaneous and permanent damage.

Physical Dimensions (mm)

50 Ohm N-Type



50 Ohm SMA



Note: The specification is subject to regular reviews and will be updated from time to time as part of our continuing product development and improved specification accuracy.

ETL SYSTEMS LIMITED
Coldwell Radio Station
Madley
Hereford
England HR2 9NE

TELEPHONE
+44 (0)1981 259020

EMAIL
info@etlsystems.com

FACSIMILE
+44 (0)1981 259021

WEB
www.etlsystems.com

