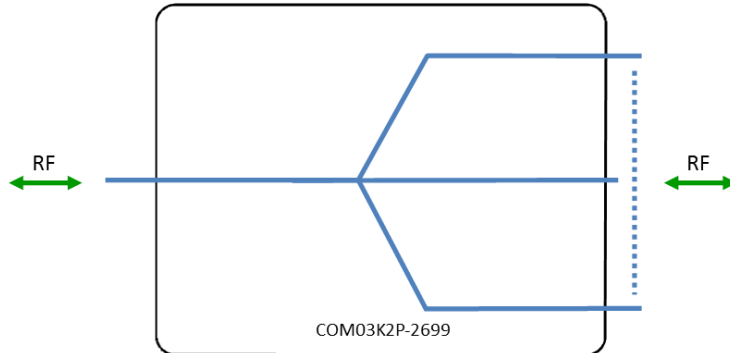


# 3-Way KU-Band Passive Splitter/Combiner

10-15 GHz



Available with RF connector options:

- 50 Ω SMA



**10-15 GHz**  
Operating frequency range.



**Compact**  
Housed in rugged compact enclosure

Passive

RF Parameters		
<b>COM03K2P-2699-XXXX</b>		S5S5
Frequency Range		10-15 GHz
RF Connectors		50Ω SMA
Mean Insertion Loss (dB)		0.7 ± 0.5
Flatness ± (dB)		0.35
Input Return Loss (dB)	Typ.	20
	Min	12
Output Return Loss (dB)	Typ.	20
	Min	12
Isolation (dB)	Typ.	22
	Min	17
Amplitude Balance (dB)		≤ ± 0.7
Phase Balance (Φ)		≤ ± 8°
The given Insertion Loss specified is the loss above the theoretical limit for a lossless divider		

## Broadcast



## Marine Oil & Gas



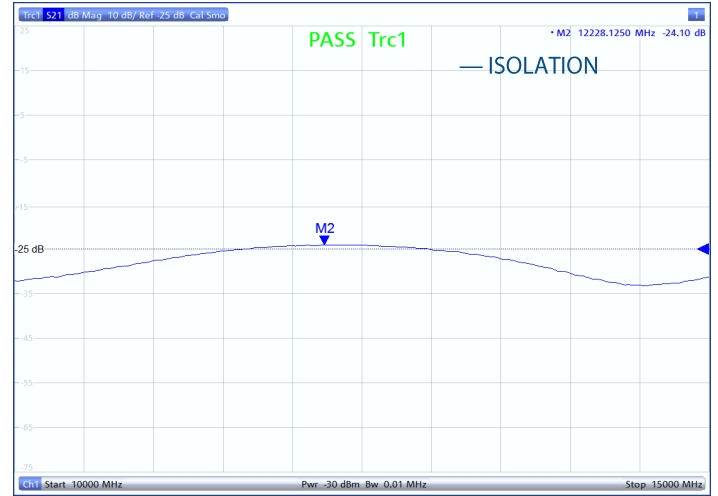
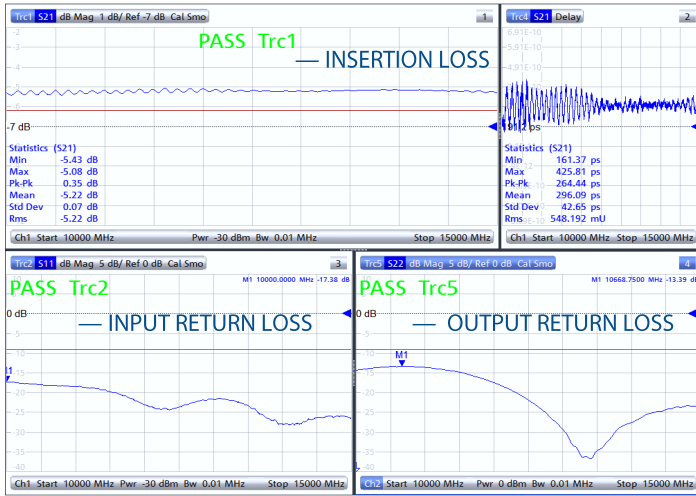
## SNG & VSAT



## Satellite Teleport



### Technical specifications and operating parameters



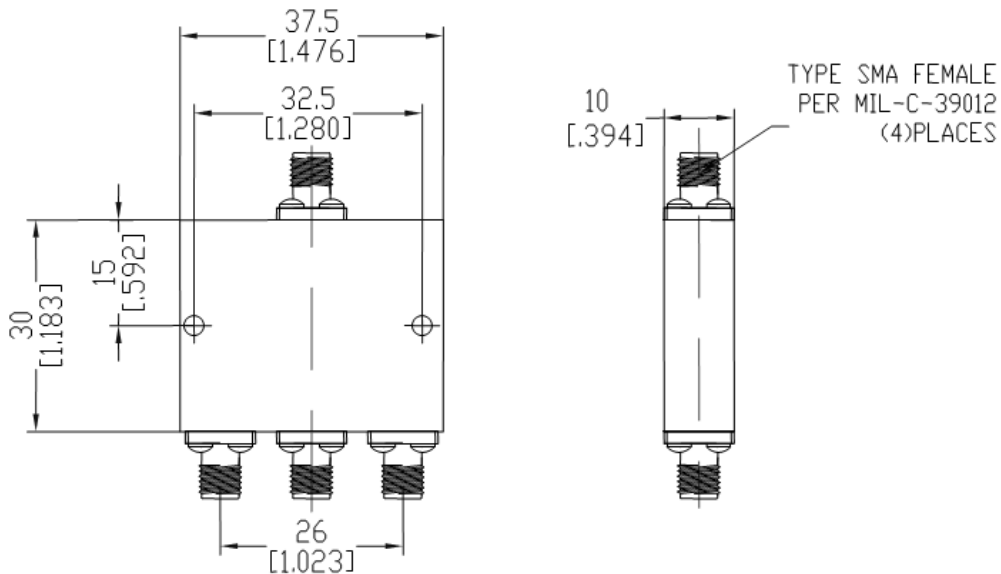
Environmental	
Operating Temperature	-40°C to +85°C
Storage Temperature	-40°C to +85°C
Location	Indoor use Only
Humidity	Max 85% non-condensing
Altitude	Max 10,000 feet

Max Operating Parameters	
Input RF Power	30W as Splitter 1W as Combiner
DC Voltage	N/A
DC Current	N/A

**!** Operation beyond these limits may cause instantaneous and permanent damage.

### Physical Dimensions (mm)

#### 50Ω SMA Connectors



Note: The specification is subject to regular reviews and will be updated from time to time as part of our continuing product development and improved specification accuracy.