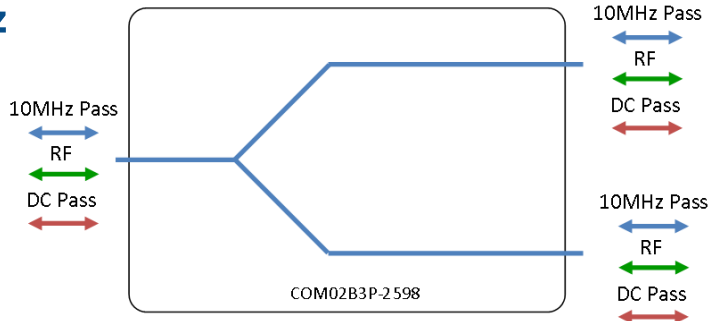


## 2-Way Broadband Passive Splitter/Combiner

**10-3000 MHz**



- All RF ports DC & 10MHz pass
- Available with RF connector options:
- 50  $\Omega$  SMA
  - 50  $\Omega$  N-type
  - 50  $\Omega$  BNC



**10-3000 MHz**  
Operating frequency range. Broad-band ready



**Compact**  
Housed in rugged compact enclosure



**Flexible Mounting**  
Tapped screw & through hole mounting options

Passive

RF Parameters			
COM02B3P-2598-XXXX	S5S5	N5N5	B5B5
Frequency Range	10-3000 MHz		
RF Connectors	50 $\Omega$ SMA	50 $\Omega$ N-Type	50 $\Omega$ BNC
Mean Insertion Loss (dB)	0.5 $\pm$ 0.5	0.5 $\pm$ 0.5	0.5 $\pm$ 0.5
Flatness $\pm$ (dB)	0.8	0.8	0.8
Input Return Loss (dB)	Typ.	14	14
	Min	7	7
Output Return Loss (dB)	Typ.	15	15
	Min	7	7
Isolation (dB)	Typ.	5	5
Amplitude Balance (dB)	$\leq$ 0.5	$\leq$ 0.5	$\leq$ 0.5
Phase Balance ( $\Phi$ )	$\leq$ 5 $^\circ$	$\leq$ 5 $^\circ$	$\leq$ 5 $^\circ$
The given Insertion Loss specified is the loss above the theoretical limit for a lossless divider 10MHz Insertion Loss is up to 3dB above the theoretical loss* 10MHz Rejection is 20dB* *To ports which are applicable			

### Broadcast



### Marine Oil & Gas



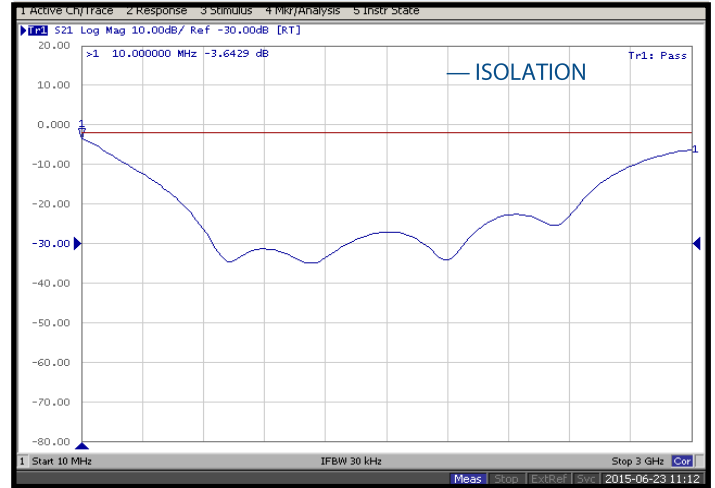
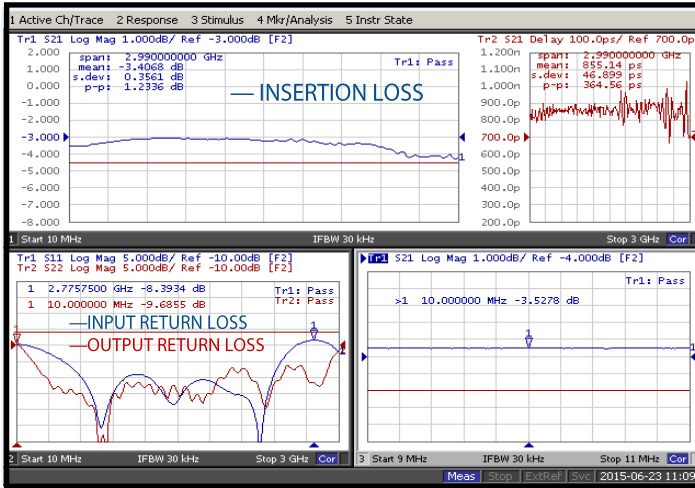
### SNG & VSAT



### Satellite Teleport



### Technical specifications and operating parameters

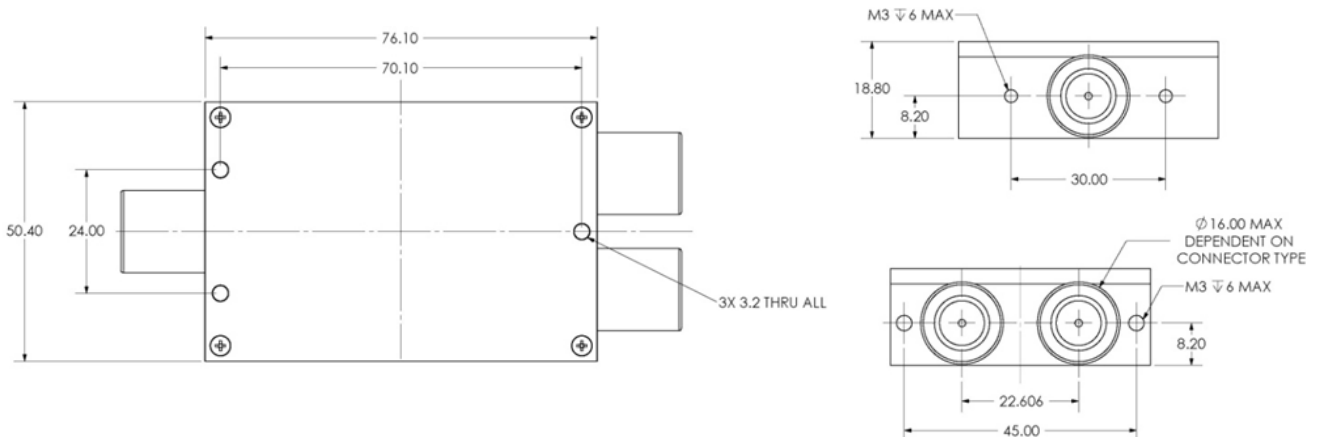


Environmental		
Operating Temperature		0°C to +45°C
Storage Temperature		-20°C to +75°C
Location		Indoor use Only
Humidity	Max	85% non-condensing
Altitude	Max	10,000 feet

Max Operating Parameters	
Input RF Power into matched load with 20dB return loss	+37dBm (5W) as a splitter +27dBm (500mW) as a combiner
DC Voltage	35V on any RF port
DC Current	500mA
DC Consumption	N/A

**!** Operation beyond these limits may cause instantaneous and permanent damage.

### Physical Dimensions (mm)



Note: The specification is subject to regular reviews and will be updated from time to time as part of our continuing product development and improved specification accuracy.